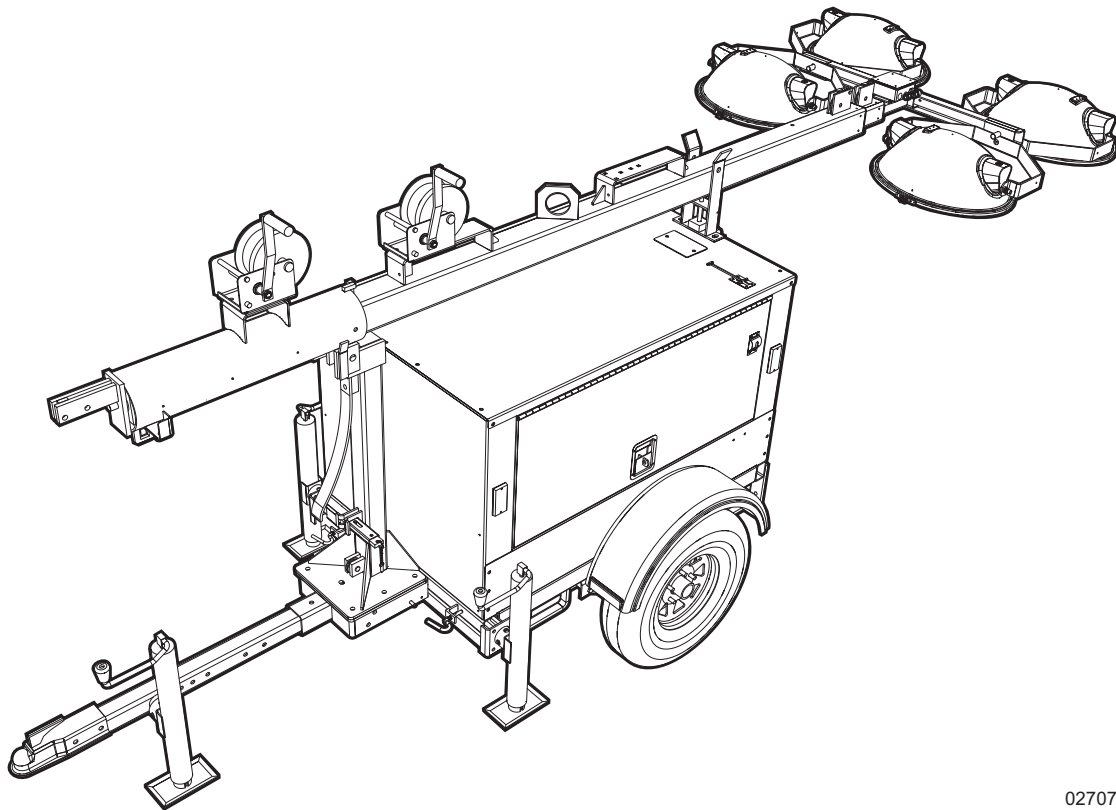


MLT3060M • MLT3060K

Diesel Light Tower Parts Manual



02707

MODEL NUMBER: _____

SERIAL NUMBER: _____

DATE PURCHASED: _____

SAVE THIS MANUAL FOR FUTURE REFERENCE

 **WARNING**

CANCER AND REPRODUCTIVE HARM

www.P65Warnings.ca.gov

(000393a)

 **WARNING**

Breathing diesel engine exhaust exposes you to chemicals known to the State of California to cause cancer and birth defects or other reproductive harm.

- Always start and operate the engine in a well-ventilated area.
- If in an enclosed area, vent the exhaust to the outside.
- Do not modify or tamper with the exhaust system.
- Do not idle the engine except as necessary.

For more information go to

www.P65Warnings.ca.gov/diesel (000394)

Introduction

This parts manual was prepared based on the information available at the time of publication and is subject to change without notice. Generac Mobile Products reserves the right to change parts at any time. To check whether a revised parts manual is available, contact Generac Mobile Products.

DO NOT MODIFY or use this equipment for any application other than which it was designed for. To keep your equipment fully operational, it is suggested you maintain a stock of commonly used maintenance or service parts. A recommended spare parts list can be found in the back of this manual. To order service parts, please go to www.generacmobileproducts.com or call Generac Mobile Products.



WARNING

Consult Manual. Read and understand manual completely before using product. Failure to completely understand manual and product could result in death or serious injury. (000100a)

WARNING

Environmental Hazard. Always recycle batteries at an official recycling center in accordance with all local laws and regulations. Failure to do so could result in environmental damage, death or serious injury. (000228)

GENERAC MOBILE PRODUCTS LLC

215 Power Drive • Berlin, WI 54923 U.S.A.

Phone: 920-361-4442

FAX: 920-361-4416

Toll Free: 1-800-926-9768

www.generacmobileproducts.com

For technical or parts QUESTIONS, contact Generac Mobile Products Technical Service at 1-800-926-9768.

Engine Make: _____

Engine Serial Number: _____

Engine Model Number: _____

This Page Intentionally Left Blank

Table of Contents

Introduction	iii
Parts Manual Instructions	1
Unit Decals - Exterior	2
Unit Decals - Interior	4
Mast, Junction Box and Lights to Unit	6
Light Assembly - 1000-1050 Watt	8
Light Assembly - 1100 Watt	10
Mast Junction Box Assembly	12
Mast Assembly	14
Roof and Doors to Unit	16
Front, Rear and Side Panels to Unit	18
Control Box to Unit	20
Control Box Assembly	22
Control Panel Assembly	24
Control Box Assembly - PowerZone (If Equipped)	26
Control Panel Assembly - PowerZone (If Equipped)	28
Cooling System Assembly	30
Engine and Generator to Unit	32
Engine Assembly - Mitsubishi Left Side	34
Engine Assembly - Mitsubishi Right Side	36
Engine Assembly - Kubota Left Side	38
Engine Assembly - Kubota Right Side	40
Generator Assembly	42
Fuel Tank and Ballast Boxes to Unit	44
Trailer Assembly	46
Axle Assembly	48
Recommended Spare Parts - Engine and Service Kits - Mitsubishi	50
Recommended Spare Parts - Engine and Service Kits - Kubota	52
Recommended Spare Parts - Electrical	54
Recommended Spare Parts - Misc	56

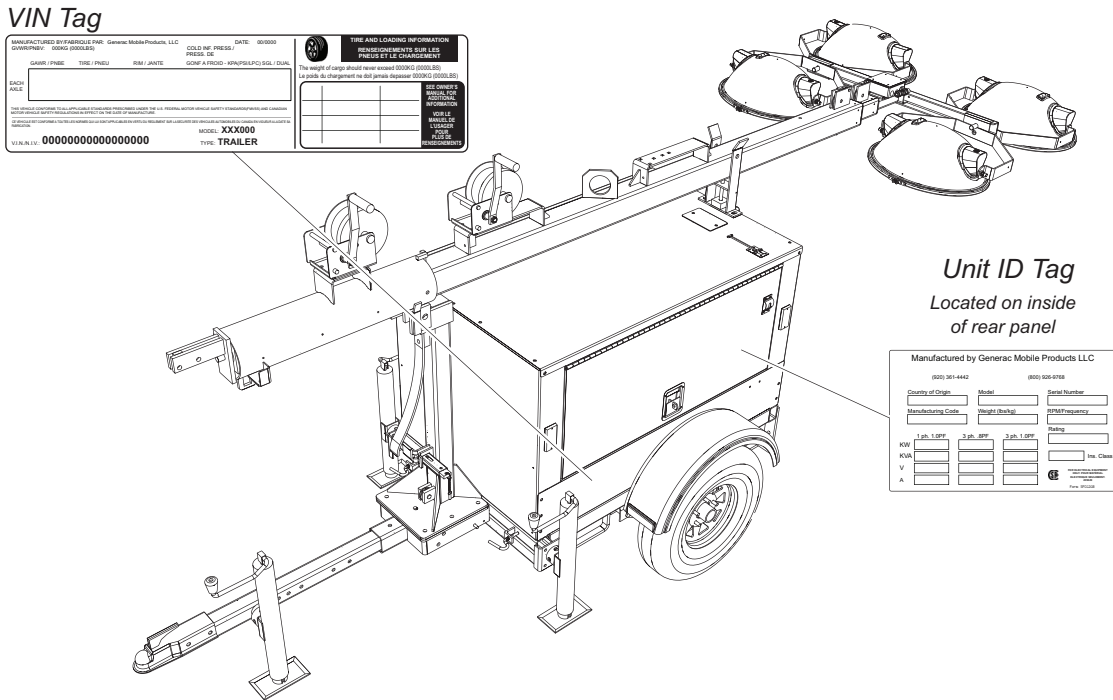
This Page Intentionally Left Blank

Parts Manual Instructions

Product illustrations are only representations. Products supplied may vary from the illustrations in this parts manual. Parts not shown in the illustration are indicated by a double dash (--) in the item column.

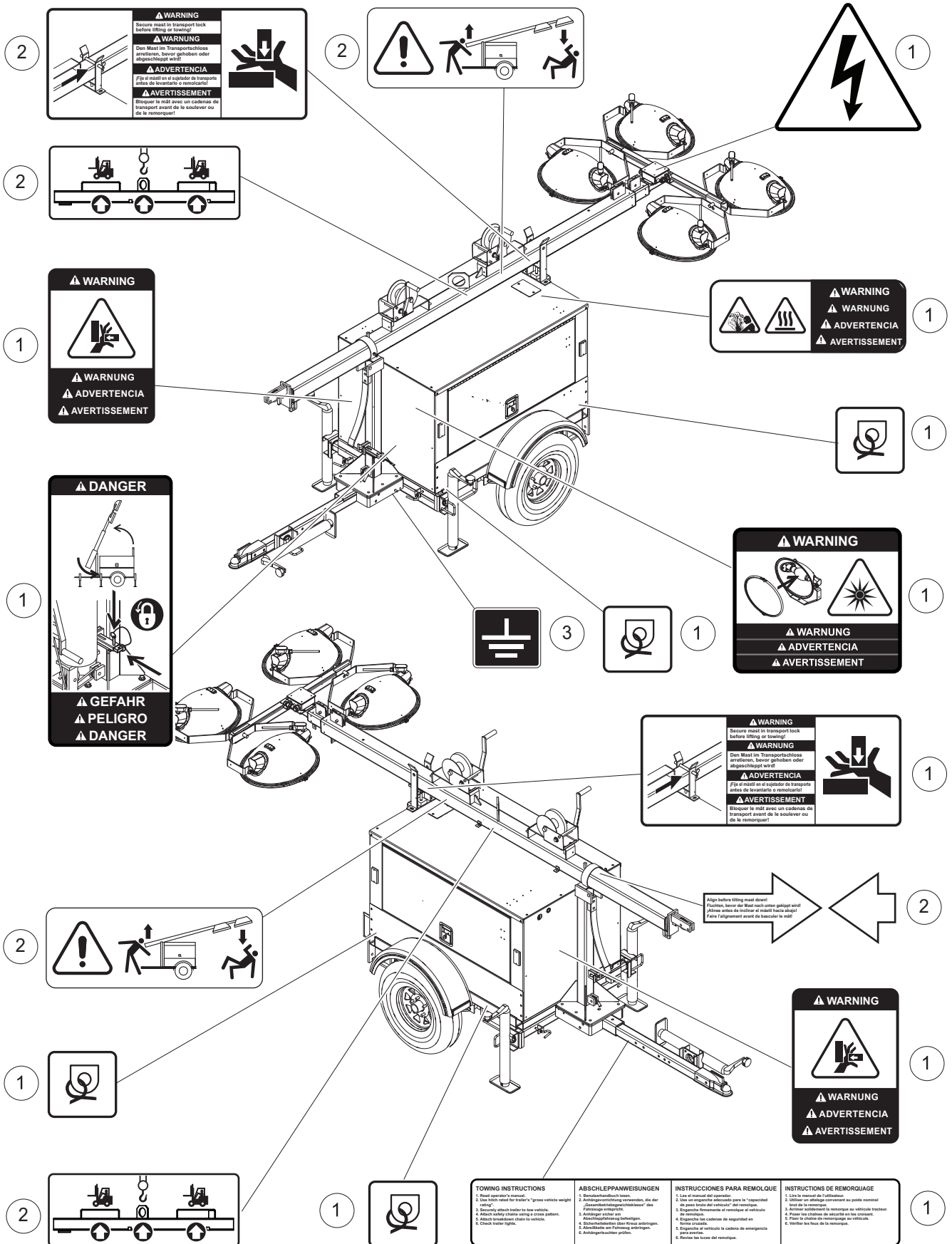
Please be prepared to provide the following information when ordering replacement parts: model number, serial number (on unit serial tag), part number, purchase order number (if applicable), shipping address, shipping method.

Refer to the illustration below to locate the unit ID tag and Vehicle Identification Number (VIN) tag on the unit. Important information, such as the unit serial number, model number, VIN and tire loading information are found on these tags. Record the information from these tags so it is available if the tags are lost or damaged. When ordering parts or requesting assistance, you may be asked to provide this information.



01138

UNIT DECALS - EXTERIOR

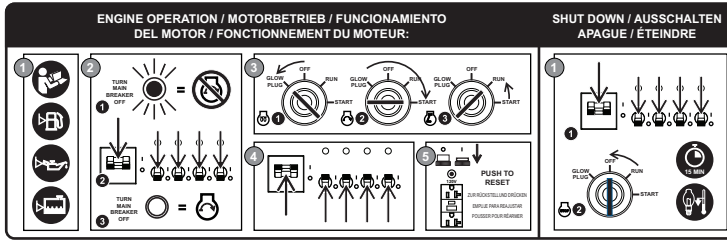


<p>TOWING INSTRUCTIONS</p> <ol style="list-style-type: none"> Read operator's manual. Use hitch rated for trailer's Gross Vehicle Weight Rating. Securely attach trailer to tow vehicle. Attach safety chains using a cross pattern. Check brake lights. 	<p>ABSCHLEPPANWEISUNGEN</p> <ol style="list-style-type: none"> Besonderheitlich lesen. Anhängerkupplung verwenden, die der „Gesamtrundgewichtsklasse“ des Fahrzeuges entspricht. Anhänger sicher an Fahrzeug anheften. Verbindungen mit Kreuzverriegelung. Abstelllichter einbringen. Anhängerkupplung prüfen. 	<p>INSTRUCCIONES PARA REMOLQUE</p> <ol style="list-style-type: none"> Lea el manual del operador. Use un enganche adecuado para la capacidad total de la remolca. Enganche firmemente el remolque al vehículo de arrastre. Enganche las cadenas de seguridad en forma cruzada. Enganche el vehículo la cadena de asegurada para frenos. Revise los luces del remolque. 	<p>INSTRUCCIONES DE REMORQUE</p> <ol style="list-style-type: none"> Lire le manual de l'opérateur. Utiliser un attelage convenant au poids maximal total de la remorque. Attacher solidement la remorque au véhicule tracteur. Passer les chaînes de sécurité en sautoir. Fixer le chaîne de remorquage au véhicule. Vérifier les feux de la remorque.
--	---	---	---

UNIT DECALS - EXTERIOR

Item	Part No.	Qty	Description	Notes
1	12141	1	Decal set, safety	
2	12140	1	Decal set, common mast	
3	12142	2	Decal, ground	

UNIT DECALS - INTERIOR



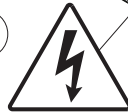
Located inside door



Located behind control panel



Located on side of control box



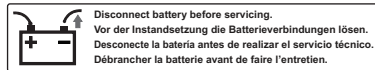
Located on control panel



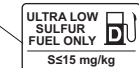
Located on radiator



Located on inside of back panel



Located on battery

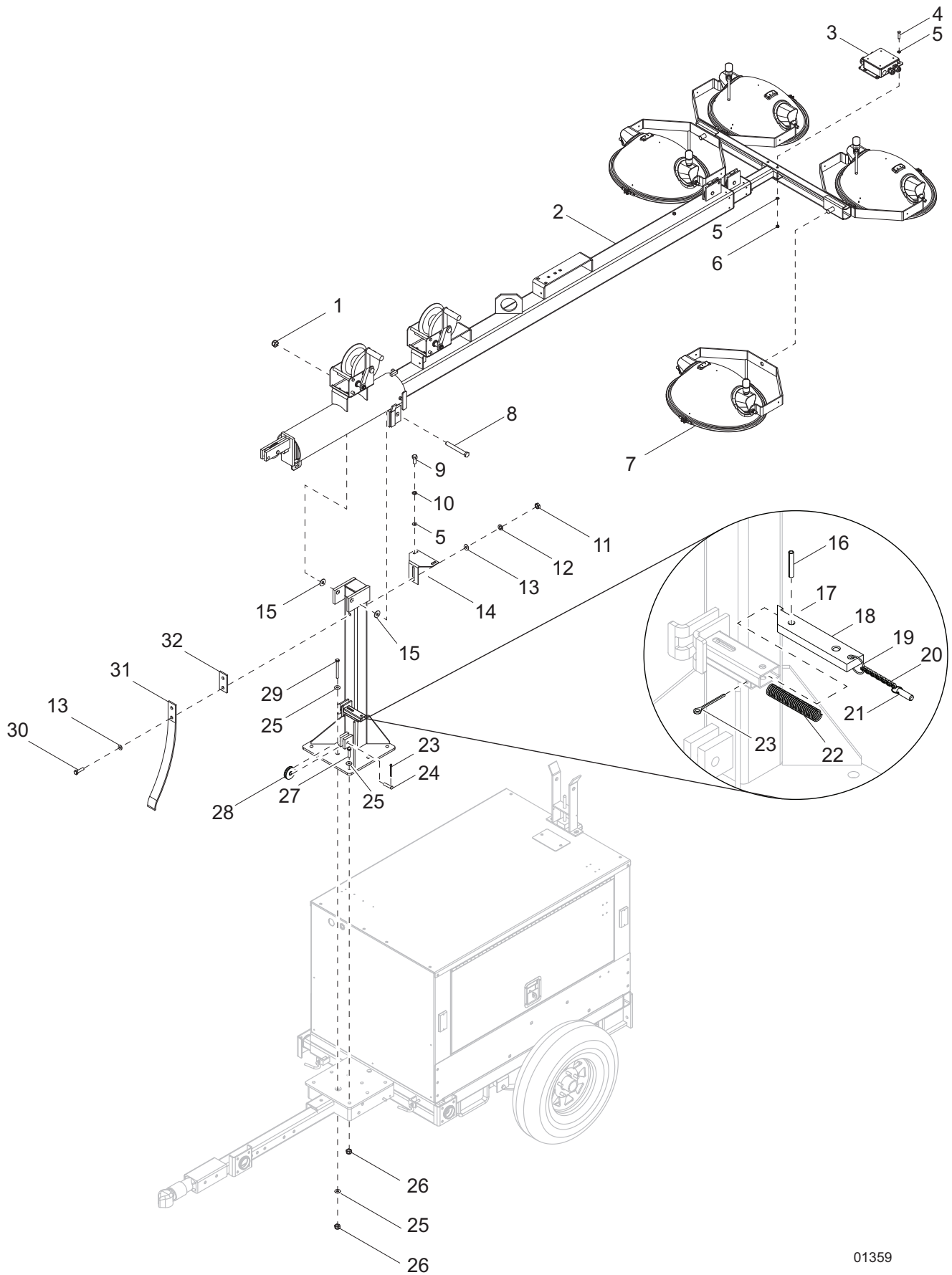


02725

UNIT DECALS - INTERIOR

Item	Part No.	Qty	Description	Notes
1	12141	1	Decal set, safety	
2	27433	1	Decal, low sulfur fuel only in	

MAST, JUNCTION BOX AND LIGHTS TO UNIT



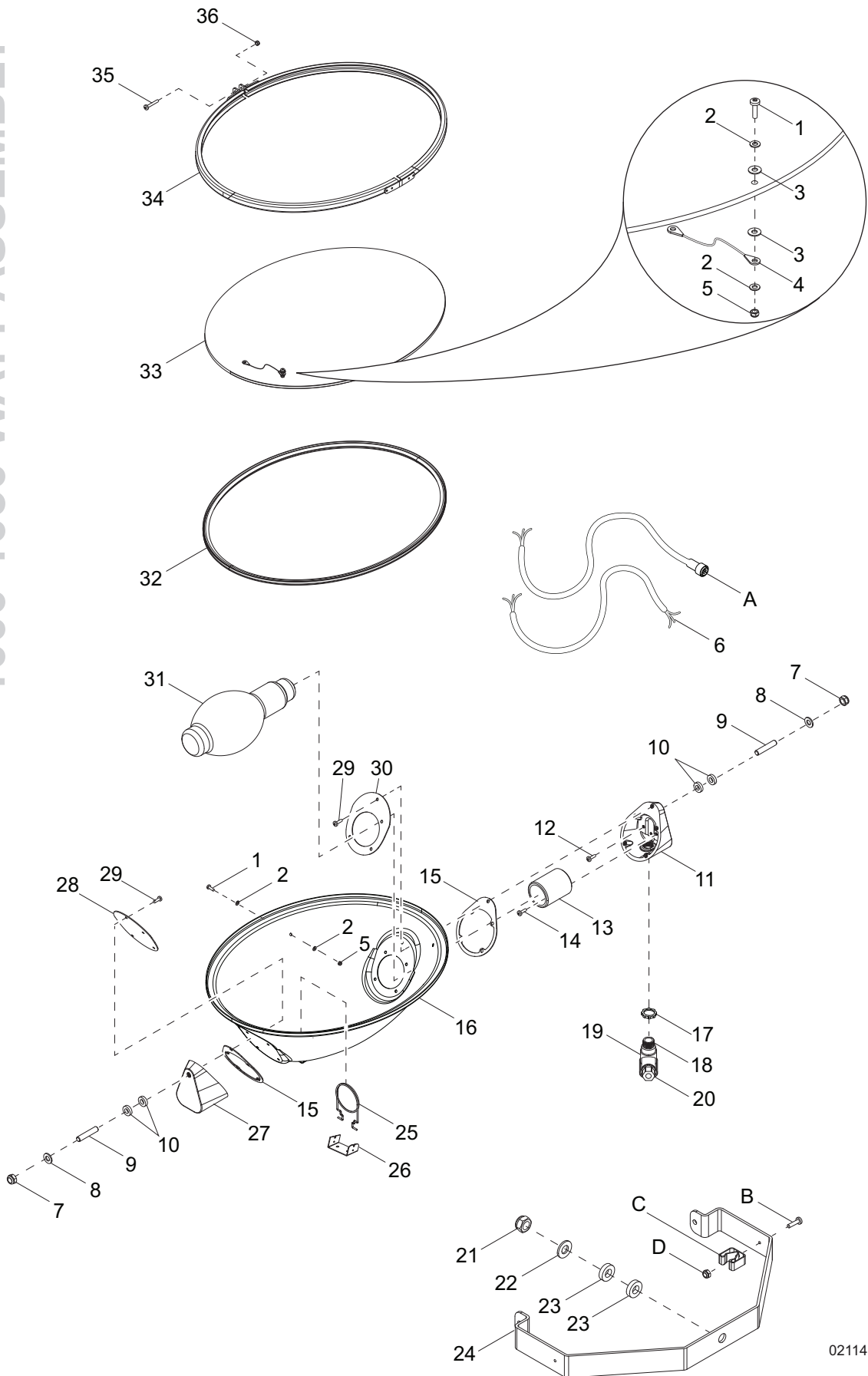
01359

MAST, JUNCTION BOX AND LIGHTS TO UNIT

Item	Part No.	Qty	Description	Notes
1	60584	1	Nut, .750-10 nylock, G5	
2	13536SRV	1	Assembly, mast	
3	13020SRV	1	Assembly, mast junction box	
4	60753	2	Screw, .375-16 x 3.50 standard hex, G5	
5	60698	6	Washer, .375 flat .875/.040, SS	
6	60358	2	Nut, .375-16 nylock, G5	
7	Page 12	4	Assembly, light	
8	15292	1	Screw, .750-10 x 6.50 standard hex, SS	
9	60690	2	Screw, .375-16 x 1.0 standard hex, SS	
10	60703	2	Washer, .375 split lock, SS	
11	14229	2	Nut, .500-13 hex, G2	
12	60702	2	Washer, .500 split lock, SS	
13	60699	4	Washer, .500 flat 1.070/.080, SS	
14	14459B	1	Bracket, door adjustment	
15	60744	2	Washer, .750 flat 1.250/.060	
16	15165	1	Pin, roll - .250 x 1.25	
17	11215SRV	1	Assembly, latch bar	Includes 18, 19, 20
18	14663Z	1	Bar, latch	
19	60706	1	Ring, split - 1.0, SS	
20	60707	.58 ft	Chain, sash, SS	
21	14403	1	Pin, .312 x 1.0	
22	14275	1	Spring, compression - .60 OD x 2.75 x .054	
23	15380	2	Pin, cotter - .125 x 1.250	
24	35655	1	Pin, clevis - .500 diameter x 1.75	
25	60309	10	Washer, .500 flat 1.060/.090	
26	62221	8	Nut, .500-13 nylock, G5	
27	60683	6	Screw, .500-13 x 1.50 standard hex, SS	
28	14261	1	Sheave - 2 inch	
29	60659	2	Screw, .500 - 13 x 5.0 standard hex, G5	
30	60732	2	Screw, .500 - 13 x 5.5 standard hex, SS	
31	14845B	1	Spring, kickback - 50 lb	
32	11554Z	1	Spacer plate - kick-back spring	

LIGHT ASSEMBLY - 1000-1050 WATT

1000-1050 WATT ASSEMBLY



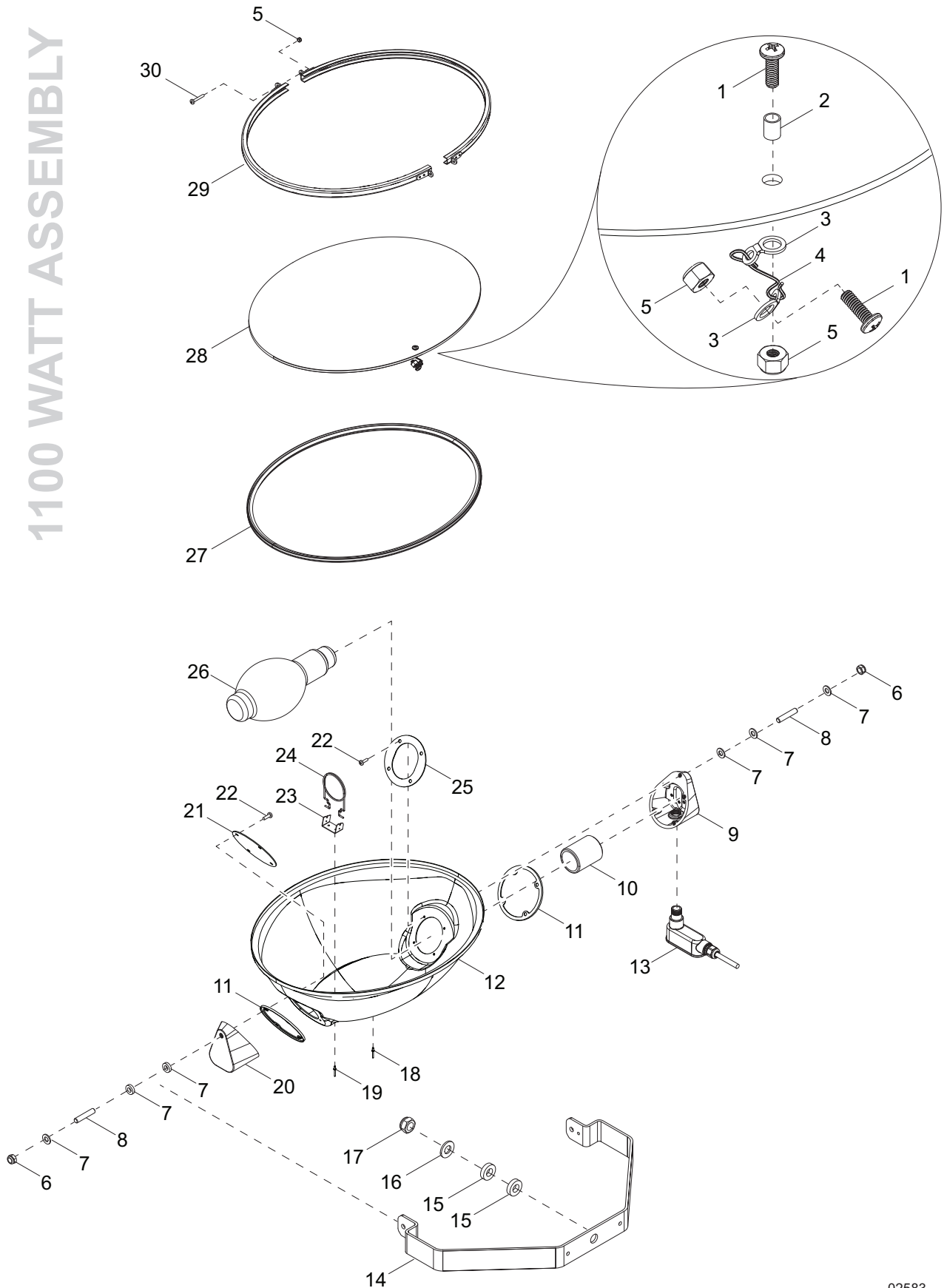
02114

LIGHT ASSEMBLY - 1000-1050 WATT

Item	Part No.	Qty	Description	Notes
1	13399	2	Screw, M4 x 18 pan Phillips	
2	60067	4	Washer, #10 flat .435/.060, SS	
3	13372	2	Washer, #4 nylon	
4	13370	1	Assembly, tether	
5	60051	2	Nut, M4-.70 nylock, G8.8	
6	13438	1	Cord, power hard wired	
7	62221	2	Nut, .500-13 nylock, G5	
8	60309	2	Washer, .500 flat 1.060/.090	
9	13392	2	Stud, trunnion	
10	13390	4	Washer, .500 nylon	
11	13375	1	Support, housing/trunnion w/cord	
12	13393	1	Screw, M5 x 12 Phillips - green	
13	13381	1	Socket, bulb	
14	60694	2	Screw, 8-32 x .750 pan Phillips, SS	
15	13378	2	Gasket, silicone	
16	13366	1	Housing	
17	15861	1	Nut, special, .500NPT lock	
18	13386	1	Fitting, nipple - .500	
19	13387	1	Connector, weather-tight	
20	15864	1	Strain relief, .500NPT watertight, .270/.464 ID	
21	60584	1	Nut, .750-10 nylock, G5	
22	60247	1	Washer, .750 flat 2.020/.130	
23	63357	2	Washer, .750 flat 2.0/.062, plastic	
24	13368	1	Trunnion	
25	13892	1	Support, bulb	
26	10000022390	1	Bracket, light holder	
27	13374	1	Support, housing/trunnion without cord	
28	13377	1	Bracket, end plate	
29	13388	10	Screw, M5x12 slotted hex with flange	
30	13376	1	Bracket, socket end plate	
31	10000022381	1	Bulb, metal halide 1100W	
32	10000022305	1	Gasket, lens oval	
33	13369	1	Lens, glass oval	
34	13367	1	Assembly, aluminum ring	
35	60167	1	Screw, M5-.80 x 35 pan Phillips, G4.8	
36	60038	1	Nut, M5-.80 nylock	
--	10000008620	4	Assembly, light fixture - 1050W non-quick disconnect	Items 1-35
<i>Quick Disconnect: (if equipped)</i>				
A	13383	1	Cord, power quick disconnect	Replaces item 6
B	60398	1	Screw, 10-32 x .500 pan Phillips, SS	
C	19041	1	Clip, spring holder	
D	60061	1	Nut, 10-32 nylock, G5	
--	10000008612	4	Assembly, light fixture/QD cord clip	

LIGHT ASSEMBLY - 1100 WATT

1100 WATT ASSEMBLY

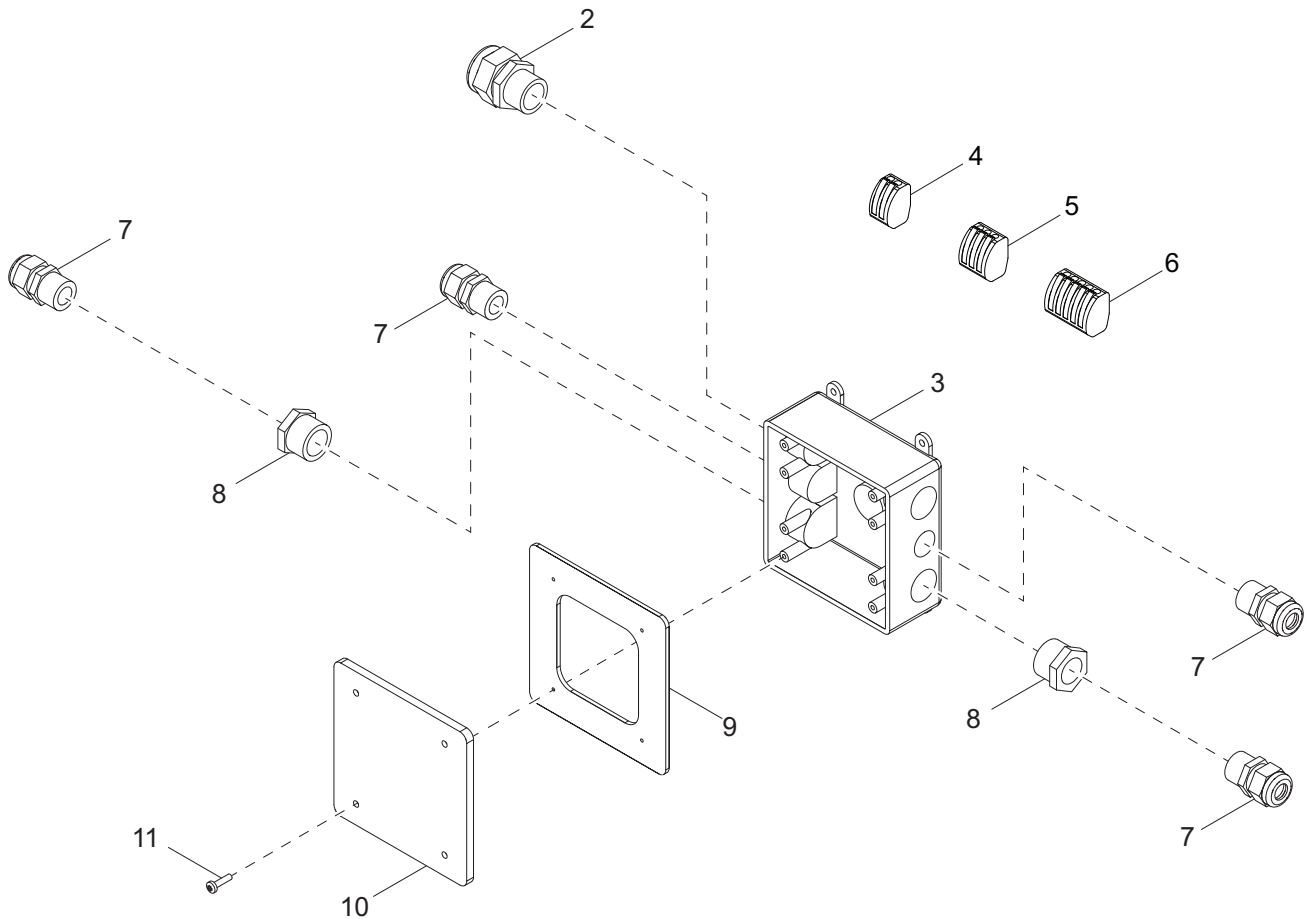
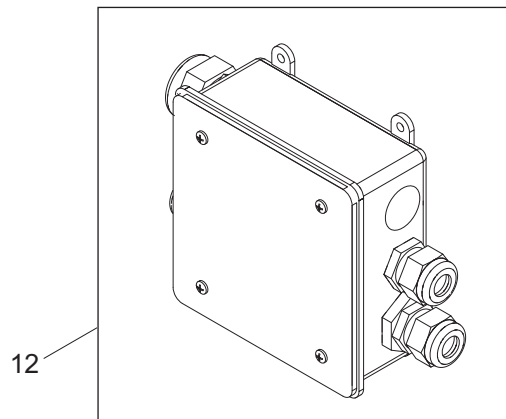
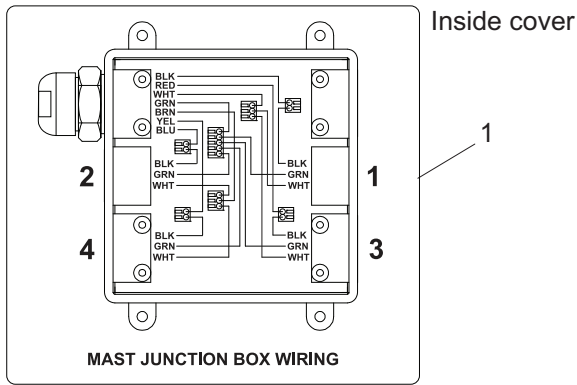


02583

LIGHT ASSEMBLY - 1100 WATT

Item	Part No.	Qty	Description	Notes
1	13399	2	Screw, M4 x 18 pan Phillips	
2	10000022307	1	Spacer, .177 ID x .216 OD x .275 - nylon	
3	10000022348	2	Bracket, cable lock	
4	10000022306	1	Cable, lens lock	
5	60270	4	Nut, 8-32 hex nylock, G6	
6	60358	2	Nut, .375-16 hex nylock, G5	
7	60027	6	Washer, M10 flat	
8	10000022401	2	Stud, .375-24 x 2.00	
9	10000022356	1	Support, with cord	
10	13381	1	Socket, HID light	
11	10000022355	2	Gasket, silicone	
12	10000022370	1	Housing	
13	10000022392	1	Connector, weather tight	
14	10000022410	1	Bracket, trunnion HID light	
15	63357	2	Washer, .750 flat 2.0/.062 plastic	
16	60247	1	Washer, .750 flat 2.020/.130	
17	60584	1	Nut, .750-10 nylock, G5	
18	10000022383	2	Rivet, .134 diameter x .09 to .125 grip - SS	
19	10000022420	2	Rivet, .094 diameter x .09 to .240 grip - SS	
20	10000022354	1	Support, without cord	
21	10000022329	1	Bracket, non socket end	
22	13388	8	Screw, M5 x 12 slotted hex w/flange	
23	10000022390	1	Bracket, light holder	
24	13892	1	Support, bulb	
25	10000022357	1	Bracket, socket end	
26	10000022381	1	Bulb, metal halide 1100W	
27	10000022305	1	Gasket, lens	
28	10000022371	1	Lens, glass	
29	10000022400	2	Bracket, lens HSG secure	
30	10000022359	2	Screw, 8-32 x 1.500 pan Phillips - SS	
--	10000022353	4	Assembly, oval light fixture 1100W MH	

MAST JUNCTION BOX ASSEMBLY

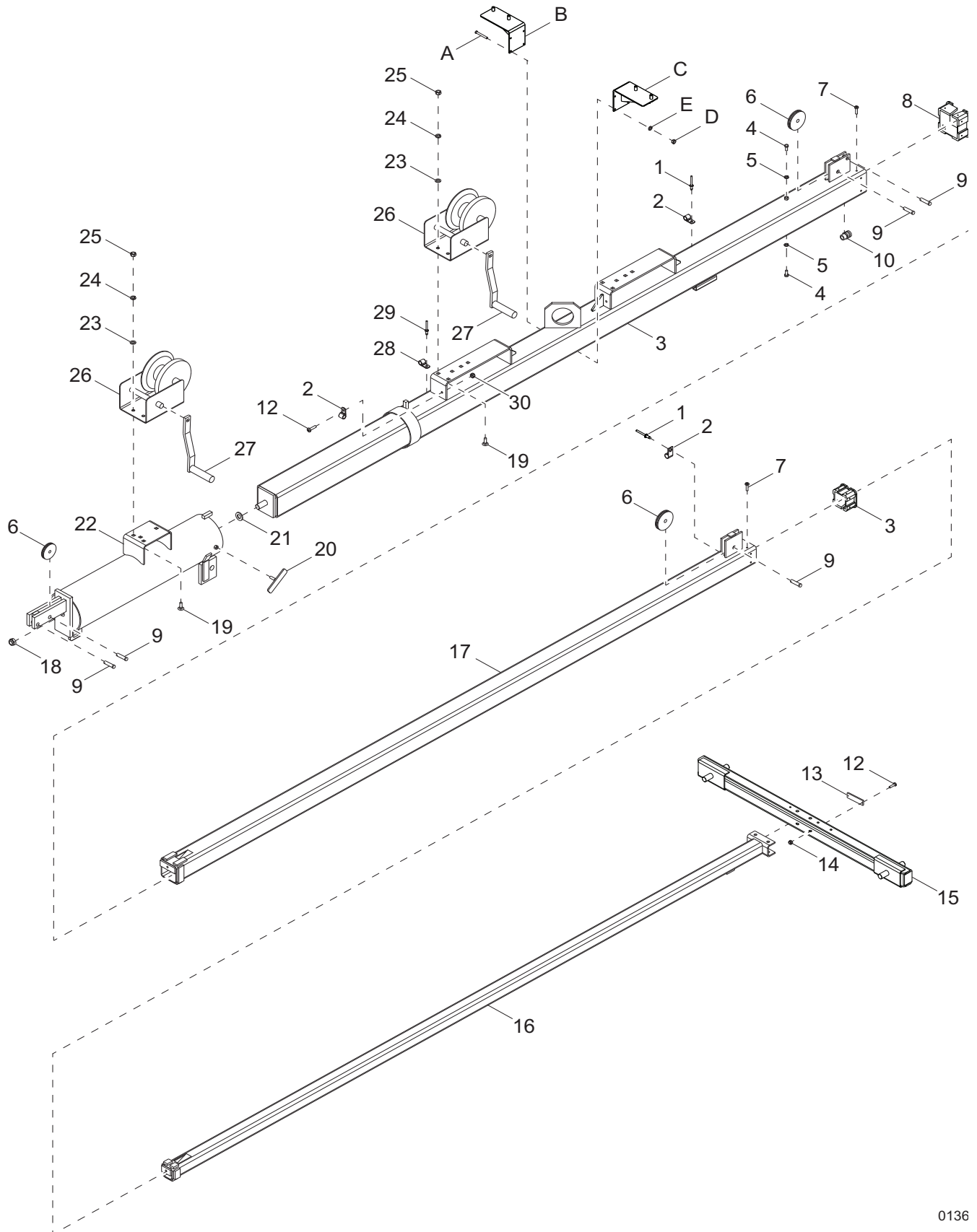


02687

MAST JUNCTION BOX ASSEMBLYSRV

Item	Part No.	Qty	Description	Notes
1	37215	1	Decal, mast junction box wiring	
2	14656	1	Strain relief, .750NPT water tight	
3	12094	1	Box, junction	
4	66100	4	Connector, 2 position.	
5	66101	2	Connector, 3 position.	
6	66102	1	Connector, 5 position.	
7	15864	4	Strain relief, .500NPT water tight	
8	60755	2	Fitting, strt .750MNPT x .500FNPT, nylon	
9	13749SRV	1	Gasket, junction box - HFI 281000	
10	12109	1	Cover, box, 2-gang plastic	
11	60424	4	Screw, 6-32 x .750 pan Phillips, G2	
12	11789SRV	1	Assembly, mast junction box	

MAST ASSEMBLY

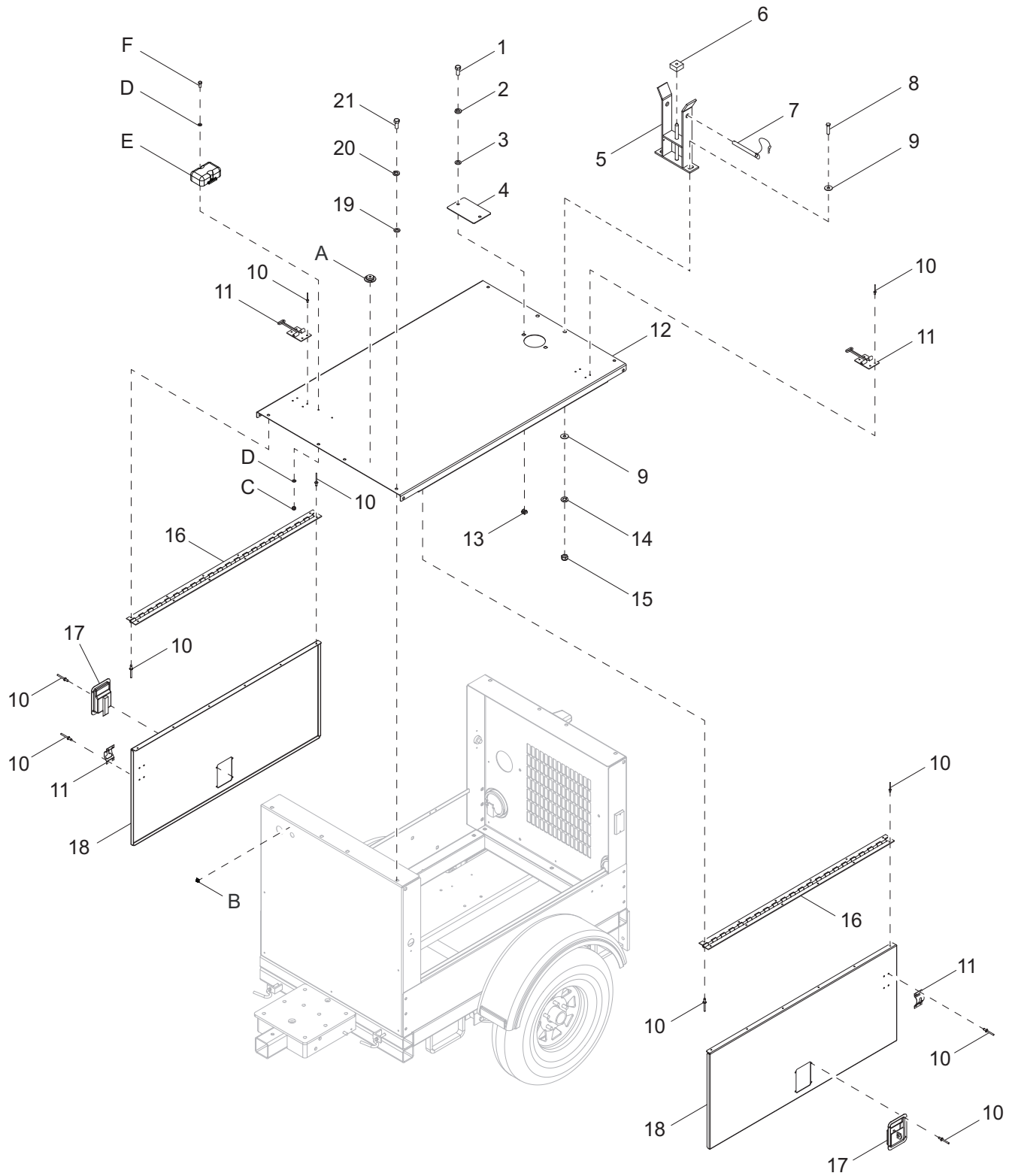


0136

MAST ASSEMBLY

Item	Part No.	Qty	Description	Notes
1	60268	2	Rivet, .188 diameter x .126 to .250 grip	
2	16143	3	Clamp, tubing - .500	
3	11933B	1	Weldment, mast - 4.0	
4	60168	2	Screw, .312 x 18 x .750 standard hex, G5	
5	60271	2	Washer, .312 split lock	
6	14262	3	Sheave - 3 inch	
7	32569	15	Screw, 8-16 x .375 pan Phillips, SS	
8	13790	1	Shim - 4x4 tube	
9	63325	5	Pin, clevis - .500 diameter x 1.063	
10	14871	1	Strain relief, .500NPT, .500 cord	
11	13789	1	Shim - 3x3 tube	
12	60062	3	Screw, 10-32 x .750 pan Phillips, G2	
13	15829	1	Reflector - red	
14	60061	2	Nut, 10-32 nylock	
15	13527B	1	Weldment, mast crossbar	
16	16257B	1	Weldment, mast - 2.0	
17	11934B	1	Weldment, mast - 3.0	
18	60584	1	Nut, .750-10 nylock, G5	
19	60658	6	Screw, .375-16 x 1.0 carriage square, G5	
20	11649Z	1	Weldment, T-bolt	
21	60247	1	Washer, .750 flat 2.020/.130	
22	11902B	1	Weldment, mast tube	
23	60698	6	Washer, .375 flat .875/.040 18-8, SS	
24	60206	6	Washer, .375 split lock	
25	60140	6	Nut, .375-16 hex, G5	
26	16600	2	Winch, manual - 1500 lb	Nut included
27	15623	2	Winch handle - 9.0 inch	
28	15627	1	Clamp, tubing - .625 heavy-duty	
29	60195	1	Rivet, .188 diameter x .375 to .500 grip large flange S	
30	60415	1	Nut, 10-32 nylock 18-8, SS	
--	15006	1	Cable - .188 inch. x 27 ft. steel w/ball swedge	Attaches to item 3
--	14151	1	Cable - .188 inch. x 11 ft. steel w/ball swedge	Attaches to item 17
--	14798	1	Cable - .188 inch. x 16 ft. steel w/teardrop	Attaches to item 22
--	11954	1	Cord, coil	
--	15002	2	Clip, wire rope .188, single saddle	
--	15003	1	Thimble, cable - .188	
<i>Mast Light Storage: (if equipped)</i>				
A	60780	4	Screw, .375-16 x 5.5 standard hex, G5	
B	13869B	1	Weldment, oval light storage - right hand	
C	13870B	1	Weldment, oval light storage - left hand	
D	60679	4	Nut, .375-16 hex, SS	
E	60703	4	Washer, .375 split lock, SS	
<i>Drape Cord: (if equipped)</i>				
--	14128	1	Cord, drape - 33 foot	Replaces coil cord

ROOF AND DOORS TO UNIT



01446

ROOF AND DOORS TO UNIT

Item	Part No.	Qty	Description	Notes
1	60507	2	Screw, .312-18 x 1.0 standard hex, SS	
2	60701	2	Washer, .312 split lock, SS	
3	60340	2	Washer, .312 flat .875/.040, SS	
4	11096W	1	Panel, radiator access	
5	12344ZN	1	Weldment, cradle	
6	11935	1	Pad, rubber	
7	SK306	1	Assembly, cradle pin	
8	60683	2	Screw, .500-13 x 1.50 standard hex, SS	
9	60699	4	Washer, .500 flat 1.070/.080, SS	
10	60268	48	Rivet, .188 diameter x .126 to .250 grip	
11	12605	2	Door latch SS - T style	
12	11062W	1	Panel, top	
13	15425	2	Nut, .312-18 cage	
14	60702	2	Washer, .500 split lock, SS	
15	14229	2	Nut, .500-13 hex, G2	
16	16598	2	Hinge, door - .188 pin, 48.5 inch. long	
17	15123	2	Latch, paddle - 7 lb spring	
18	11066W	2	Panel, door	
19	60698	6	Washer, .375 flat .875/.040, SS	
20	60703	6	Washer, .375 split lock, SS	
21	60690	6	Screw, .375-16 x 1.0 standard hex, SS	

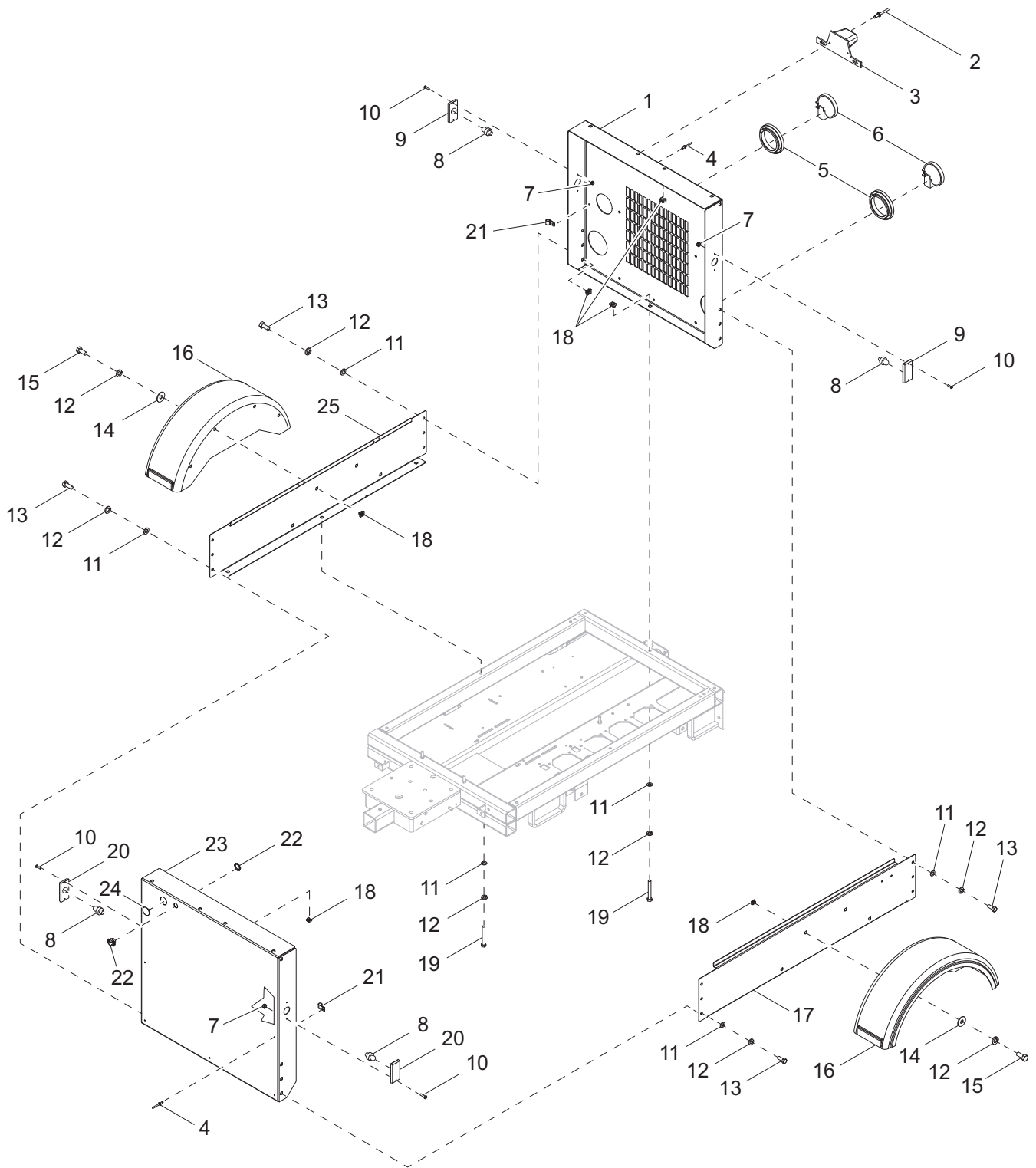
Level Indicator: (if equipped)

A	14433	1	Level, eye
---	-------	---	------------

Telemetry: (if equipped)

B	61055	1	Clip, rod hold
C	60061	2	Nut, 10-32 nylock
D	60067	4	Washer, flat .435/.060 18-8
E	37731	1	Telemetry, ZTR M6H
F	61180	2	Screw, 10-32 x .750 pan Phillips 18-8
--	37785	1	Harness, ZTR M6H

FRONT, REAR AND SIDE PANELS TO UNIT

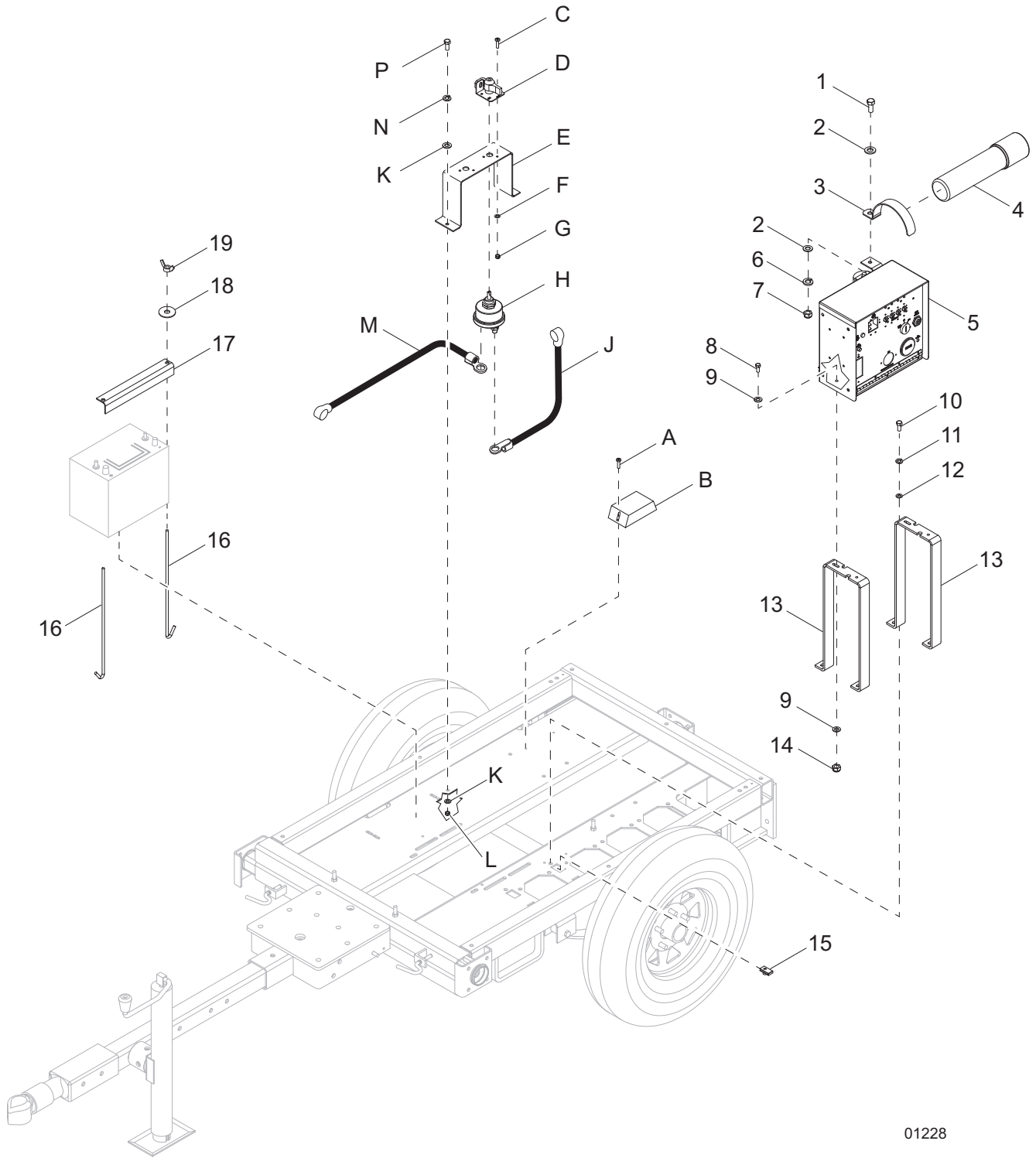


01390

FRONT, REAR AND SIDE PANELS TO UNIT

Item	Part No.	Qty	Description	Notes
1	11060W	1	Panel, rear	
2	60423	2	Rivet, .188 diameter x .250 to .375 grip	
3	10223SRV	1	Assembly, license plate light/holder	
4	60268	10	Rivet, .188 diameter x .126 to .250 grip, SS	
5	10221	2	Grommet, rear light, rubber 4.5 inch	
6	10219SRV	2	Assy, rear tail/turn light, 3-wire w/plug	
7	60270	8	Nut, 8-32 nylock, class 6	
8	65661	4	Bulb - light, clearance marker	
9	66372	2	Light, clearance marker - red	
10	60694	8	Screw, 8-32 x .750 pan Phillips, SS	
11	60698	21	Washer, .375 flat .875/.040, SS	
12	60703	29	Washer, .375 split lock, SS	
13	60690	12	Screw, .375-16 x 1.0 standard hex, SS	
14	60386	8	Washer, .375 flat .993/.064	
15	60295	8	Screw, .375-16 x .750 standard hex, SS	
16	16560	2	Fender, plastic shell	
17	12015W	1	Panel, side - left	
18	60657	39	Nut, .375-18 cage	
19	60689	9	Screw, .375-16 x 4.0 standard hex, SS	
20	66373	2	Light, clearance marker - amber	
21	15628	10	Clamp, wire .38 plastic	
22	14202	1	Strain relief - .375 Romex [®] with nut	
23	11077W	1	Panel, front	
24	70112	1	Plug, 1.50 inch. dome, plastic	
25	12014W	1	Panel, side - right	
--	12101	1	Wiring, trailer	

CONTROL BOX TO UNIT



01228

CONTROL BOX TO UNIT

Item	Part No.	Qty	Description	Notes
1	60690	1	Screw, .375-16 x 1.0 standard hex, SS	
2	60698	2	Washer, .375 flat .875/.040, SS	
3	10241	1	Clamp, 2.50 - manual holder	
4	11121	1	Manual holder tube, 14 in. - black	
5	10000036299	1	Assembly, control box - Mitsubishi, 1100W	Page 22
	10000036340	1	Assembly, control box - Kubota, 1100W	Page 22
--	10405	1	Assembly, control box - Mitsubishi, 1000-1050W	
--	17790	1	Assembly, control box - Kubota, 1000-1050W	
6	60703	1	Washer, .375 split lock, SS	
7	60140	1	Nut, .375 hex, G5	
8	60684	4	Screw, .250-20 x .875 standard hex, SS	
9	60696	8	Washer, .250 flat .625/.050, SS	
10	60256	4	Screw, .312-18 x 1.50 standard hex, G5, full thread	
11	60271	4	Washer, .312 split lock	
12	60119	4	Washer, .312 flat .875/.070	
13	10692B	2	Bracket, control box mounting	
14	60144	4	Nut, .250-20 nylock, G5	
15	62086	4	Nut, .312-18 u-clip - short type	
16	14146	2	Bolt, J - .250-20 x 10.0	
17	12924B	1	Angle, battery hold down	
18	60089	2	Washer, .265 fender 1.250/.060	Included w/item 16
19	60090	2	Nut, .250-20 wing, G5	Included w/item 16

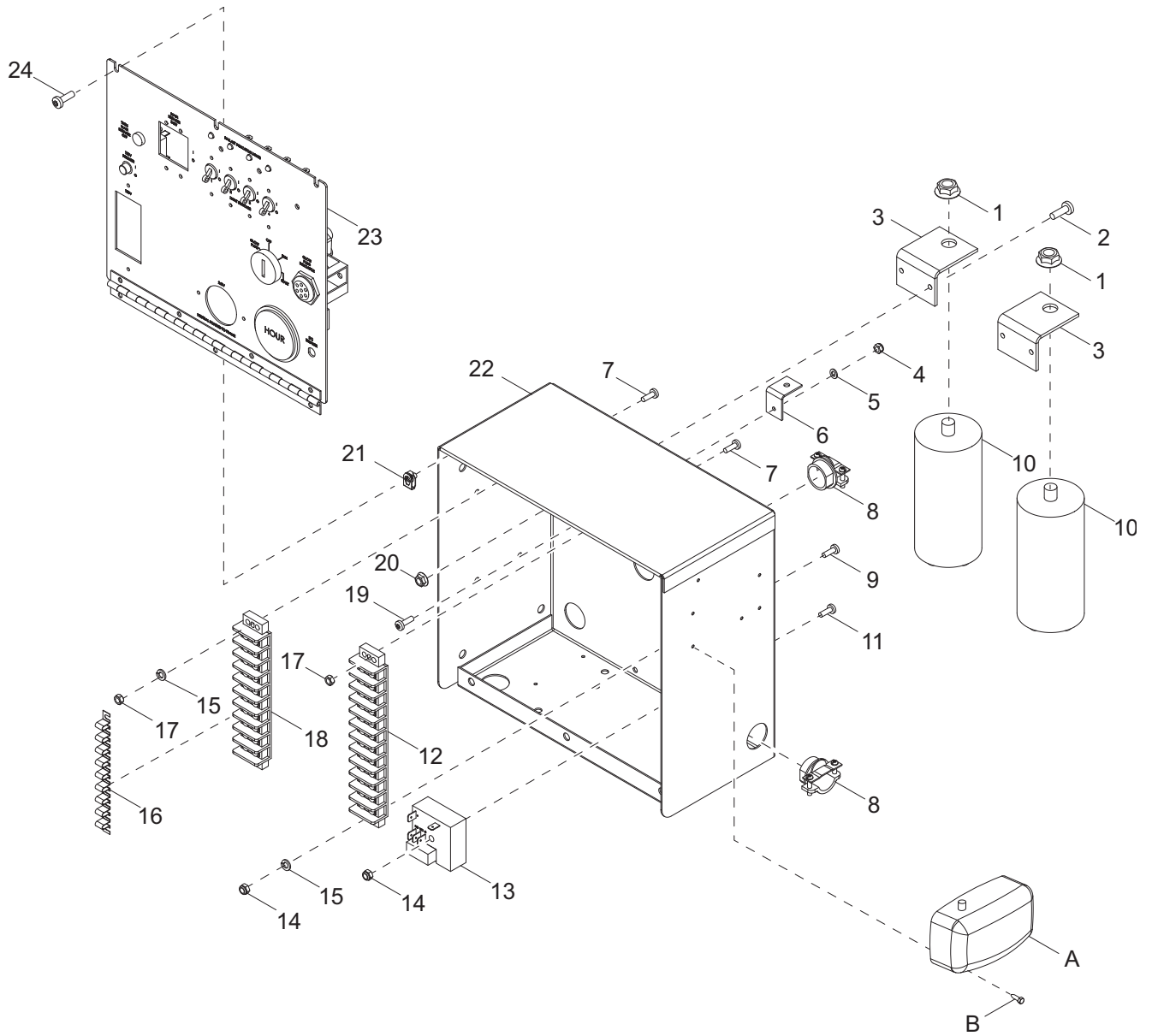
Battery Charger: (if equipped)

A	60419	2	Screw, 6-32 x .500 flg hex, G2, self-tapping
B	65326	1	Charger, battery 2A
--	21259	1	Decal, battery charger

Battery Disconnect: (if equipped)

C	60277	2	Screw, 10-32 x .500 pan Phillips, G2
D	65499	1	Assembly, switch lockout lever
E	13654B	1	Bracket, battery disconnect
F	60067	2	Washer, #10 flat .435/.060, SS
G	60061	2	Nut, 10-32 nylock
H	65498	1	Switch, disconnect
J	68544	1	Cable, battery - 18 in., 4GA red, .375 lug
K	60119	2	Washer, .312 flat .875/.070
L	60303	2	Nut, .312-18 nylock, G2
M	68543	1	Cable, battery - 24 in., 4GA red w/boot, .375 lug
N	60271	2	Washer, .312 split lock
P	60028	2	Screw, .312-18 x 1.0 standard hex, G5

CONTROL BOX ASSEMBLY

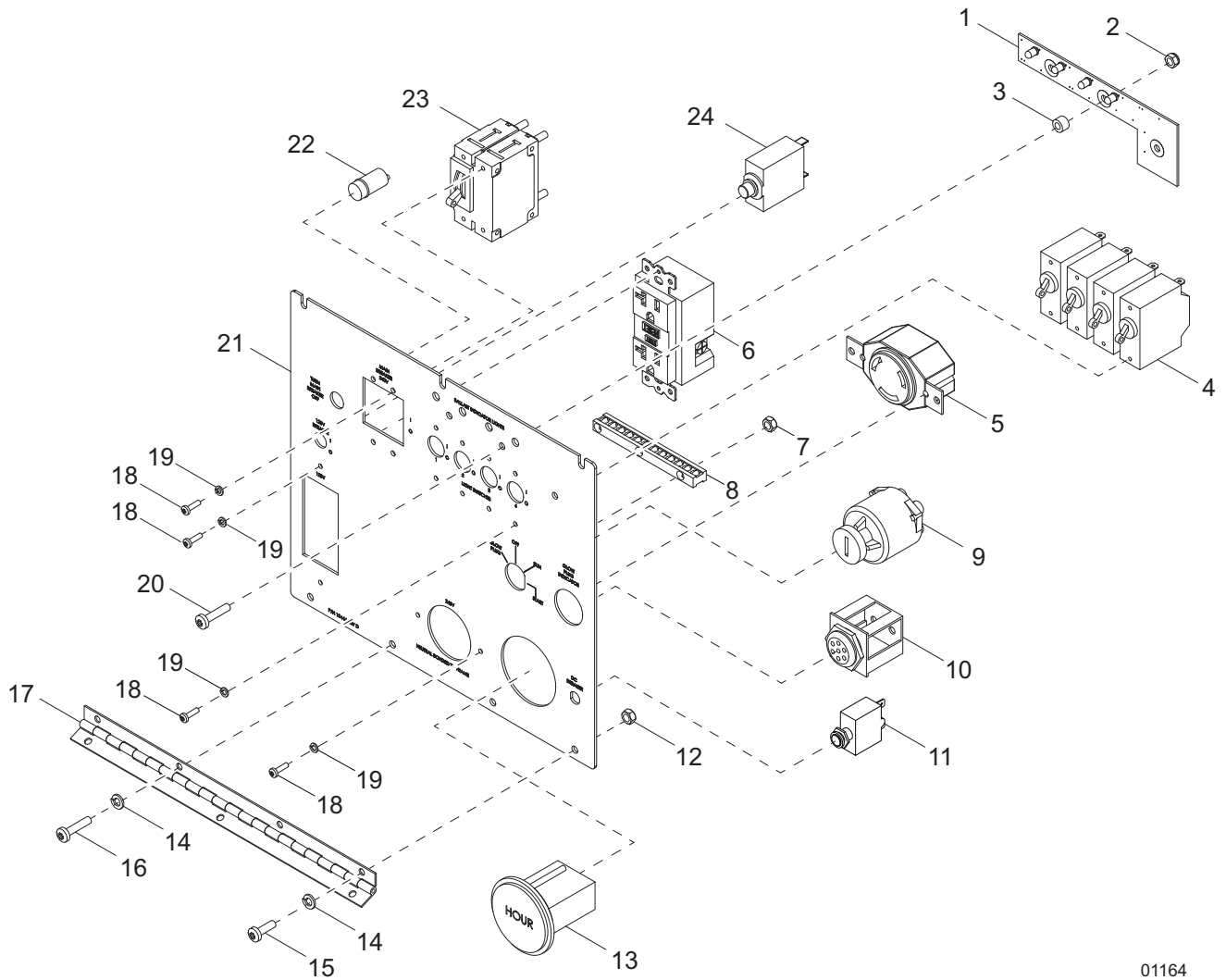


02638

CONTROL BOX ASSEMBLY

Item	Part No.	Qty	Description	Notes
1	60148	2	Nut, M12-1.75 serrated flange, G8.8	
2	60398	4	Screw, 10-32 x .500 pan Phillips, SS	
3	13690B	2	Bracket, capacitor	
4	60144	1	Nut, .250-12 nylock, G5	
5	60243	1	Washer, .250 flat .735/.060	
6	32731B	1	Bracket, manual holder	
7	60062	3	Screw, 10-32 x .750 pan Phillips, G2	
8	14219	5	Strain relief - .750 Romex w/nut	
9	60397	1	Screw, 10-32 x 1.0 pan Phillips, G2	
10	10000024477	2	Capacitor, dual 24 μ F/24 μ F, 540 VAC	
11	60396	1	Screw, 10-32 x 1.250 pan Phillips, G2	
12	14139	1	Block, terminal - 12 position, 30A, 600V	
13	14201	1	Relay, 10A SPDT 12VDC, time delay - 15 second	
14	60061	1	Nut, 10-32 nylock	
15	60252	2	Washer, #10 split lock	
16	15125	1	Jumper	
17	14231	2	Nut, 10-32 hex, G2	
18	14203	1	Block, terminal - 10 position, 30A, 600V	
19	60690	1	Screw, .375-16 x 1.0 standard hex, SS	
20	61045	4	Nut, 10-32 serrated flange	
21	63105	6	Nut, 8-32 u-clip, G5	
22	13666B	1	Box, control	
23	10000036334	1	Assembly, control panel 1100W - Mitsubishi	Page 24
	10000036323	1	Assembly, control panel 1100W - Kubota	Page 24
--	10443	1	Assembly, control panel 1000-1050W - Mitsubishi	
--	10440	1	Assembly, control panel 1000-1050W - Kubota	
24	60526	6	Screw, 8-32 x .500 pan Phillips, G2	
--	35270	1	Wire group - 6kW control box	
<i>Interior Light: (if equipped)</i>				
A	11947	1	Light, interior w/switch	
B	60364	4	Screw, 10-16 x .500 standard hex, G2, self-drilling	

CONTROL PANEL ASSEMBLY



01164

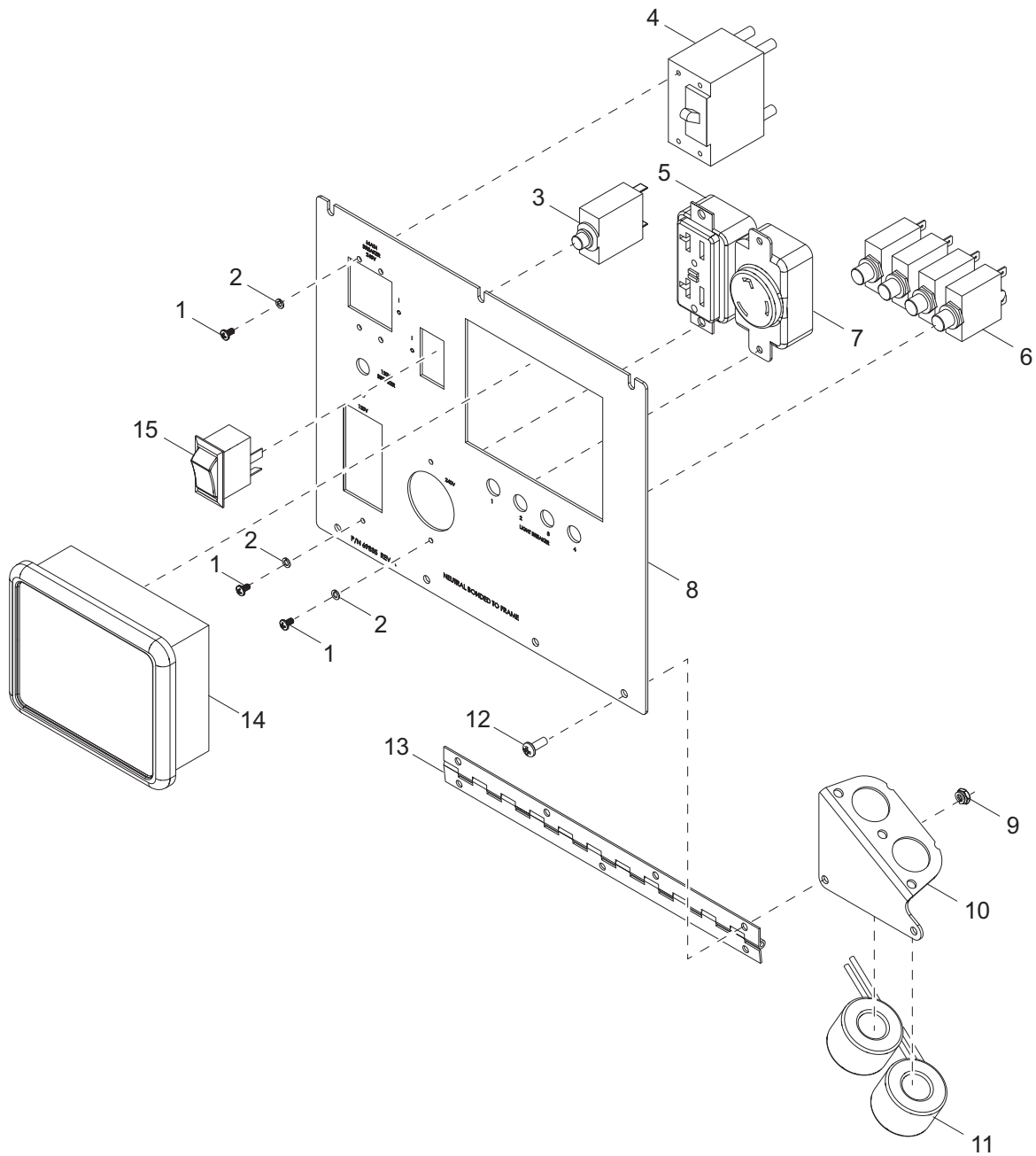
CONTROL PANEL ASSEMBLY

Item	Part No.	Qty	Description	Notes
1	66423	1	PCB, LED lights w/connector	
2	60061	3	Nut, 10-32 nylock	
3	66257	3	Spacer, .2 ID x .375 OD x .25 long, plastic	
4	14249	4	Breaker, 15A, 120V, 1-pole	
5	14137	1	Receptacle, 240V/30A twist-lock	
6	14130	1	Receptacle, 120V/20A GFI	
7	60318	2	Nut, 8-32 hex, G5	
8	14204	1	Kit, ground bar	
9	15195SRV	1	Switch, key	
10	16694	1	Glow plug indicator	MLT3060M
11	65850	1	Breaker, 10A, 240V, 1-pole, push button	
12	14231	2	Nut, 10-32 hex, G2	
13	15085	1	Gauge, hour meter	
14	60252	4	Washer, #10 split lock	
15	60277	2	Screw, 10-32 x .500 pan Phillips, G2	
16	60406	2	Screw, 8-32 x 1.0 pan Phillips, SS	
17	13677	1	Hinge, continuous - 11 in	
18	60405	16	Screw, 6-32 x .250 pan Phillips, G2	
19	60058	16	Washer, #6 split lock	
20	60062	3	Screw, 10-32 x .750 pan Phillips, G2	
21	10000030410	1	Panel, control - Mitsubishi, 1100W	MLT3060M
	10000030374	1	Panel, control - Kubota, 1100W	MLT3060K
22	65388	1	Light, indicator red, 12VDC	
23	65963	1	Breaker, 30A, 250V, 2-pole, stud terminal w/aux	
24	65849	1	Breaker, 10A, 120V, 1-pole, push button	
--	35267	1	Wire group - 20A GFCI	
--	35268	1	Wire group - 30A twist-lock	
--	35269	1	Wire group - light switches	
--	35266	1	Wire group - LED light board	
--	35271	1	Wire group - 6kW control box	

CONTROL BOX ASSEMBLY- POWERZONE (IF EQUIPPED)

Item	Part No.	Qty	Description	Notes
1	60397	4	Screw, 10-32 x 1.0 pan Phillips, G2	
2	13690B	2	Bracket, capacitor	
3	60148	2	Nut, M12-1.75 serrated flange, G8.8	
4	60398	4	Screw, 10-32 x .500 pan Phillips, SS	
5	14219	5	Strain relief - .750 Romex w/nut	
6	65959	2	Capacitor, dual 24 μ F/ 24 μ F, 10% 480 VAC	
7	61045	4	Nut, 10-32 serrated flange	
8	63105	6	Nut, 8-32 u-clip, G5	
9	60758	10	Nut, 4-40 nylock, G2	
10	18890	1	Block, terminal - 2 position	
11	62187	10	Screw, 4-40 x .500 pan Phillips - SS	
12	29759	4	Relay, 12V coil 120-240 VAC rated	
13	66013	1	Block, terminal - 14 position, 30A, 600V	
14	60746	2	Plug, hole 1.094 recessed - black	
15	60061	4	Nut, 10-32 nylock	
16	15125	9	Jumper	
17	14203	1	Block, terminal - 10 position, 30A, 600V	
18	60277	6	Screw, 10-32 x .500 pan Phillips, G2	
19	60252	3	Washer, #10 split lock	
20	69840	1	Box, control MLT 6KW, PZ	
21	69836	1	Assembly, control panel 6KW PZ	Page 28
--	69862	1	Assembly, generator harness - 6KW 60HZ	
--	68196	1	Wire group, control box	
--	68197	1	Wire group, engine harness	
<i>Interior Light: (if equipped)</i>				
A	11947	1	Light, interior w/switch	
B	60364	4	Screw, 10-16 x .500 standard hex, G2, self-drilling	

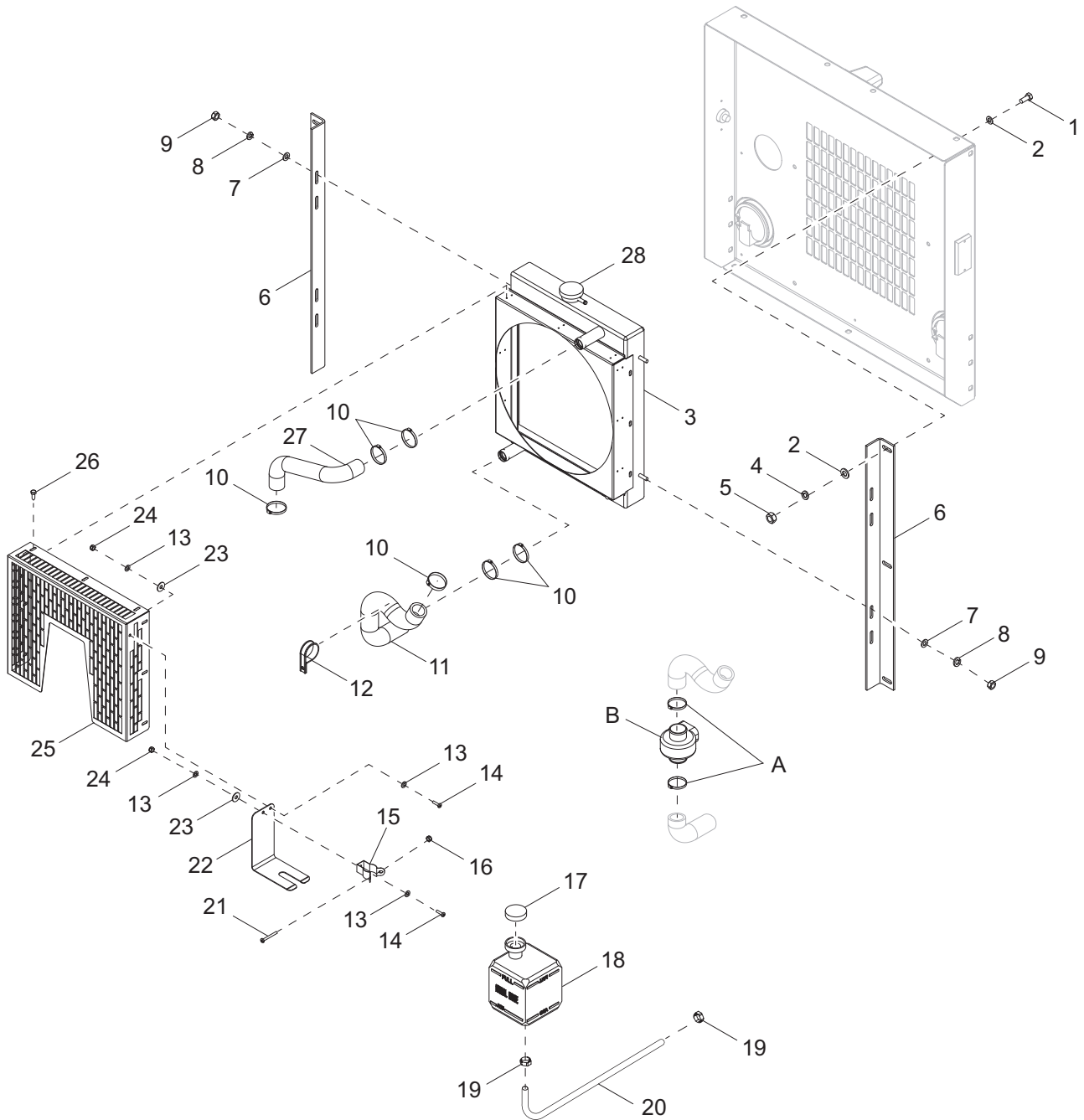
CONTROL PANEL ASSEMBLY - POWERZONE (IF EQUIPPED)



CONTROL PANEL ASSEMBLY - POWERZONE (IF EQUIPPED)

Item	Part No.	Qty	Description	Notes
1	60405	16	Screw, 6-32 x .250 pan Phillips, G2	
2	60058	16	Washer, #6 split lock	
3	65849	1	Breaker, 10A, 120V, 1-pole, push button	
4	65963	1	Breaker, 30A, 250V, 2-pole, stud terminal w/aux	
5	35302	1	Assembly, 20A GFCI - black	
6	15568	4	Breaker, 15A 120V 1 pole - push button	
7	35301	1	Assembly, 30A twist lock	
8	69835	1	Panel, control 6kW - PZ	
9	14231	4	Nut, 10-32 hex, G2	
10	37212	1	Bracket, CT	
11	66255	2	Transformer, current 100:5 wires	
12	60277	4	Screw, 10-32 x .500 pan Phillips, G2	
13	13677	1	Hinge, continuous - 11 in	
14	68677	1	Controller, Deep Sea L401-002-A3 MLT6/8KW	
15	66995	1	Switch, rocker DPST on-off	

COOLING SYSTEM ASSEMBLY

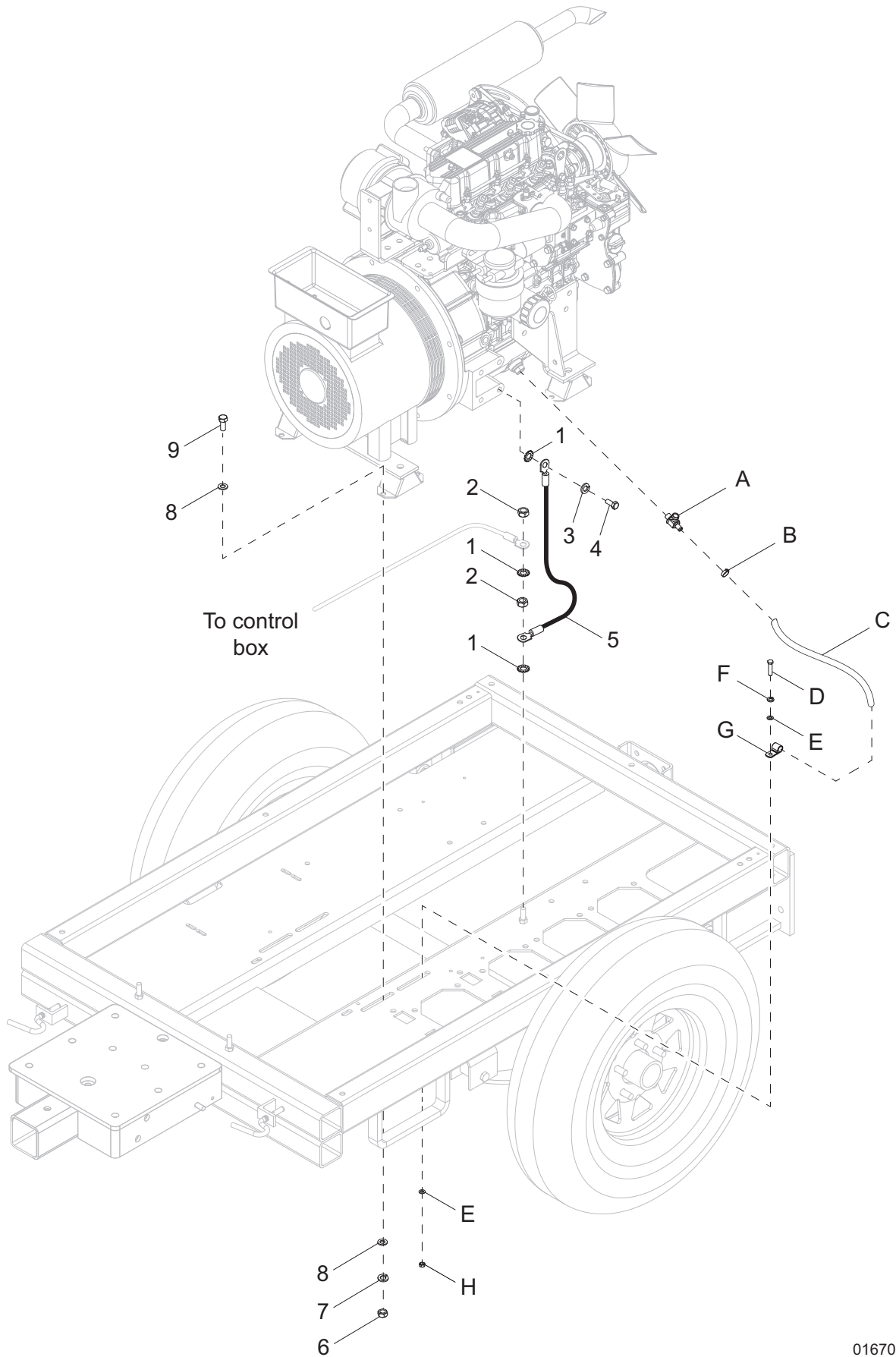


01230

COOLING SYSTEM ASSEMBLY

Item	Part No.	Qty	Description	Notes
1	60690	6	Screw, .375-16 x 1.0 standard hex, SS	
2	60698	12	Washer, .375 flat .875/.040, SS	
3	13924	1	Radiator, w/fan guard	
4	60703	6	Washer, .375 split lock, SS	
5	60140	6	Nut, .375-16 hex, G5	
6	11135B	2	Bracket, radiator	
7	60119	4	Washer, .312 flat .875/.070	
8	60271	4	Washer, .312 split lock	
9	60032	4	Nut, M8-1.25 hex, G8.8	
10	15422	6	Clamp, hose - SAE 020 (.75-1.75)	
11	16688SRV	1	Hose, radiator - lower - Mitsubishi	MLT3060M
	12350	1	Hose, radiator - lower - Kubota	MLT3060K
12	60716	1	Clamp, tubing - 1.50 light duty	
13	60067	4	Washer, #10 flat .435/.060, SS	
14	61180	2	Screw, 10-32 x .750 pan Phillips, SS	
15	19726	1	Clamp, overflow jug	
16	60144	1	Nut, .250-20 nylock, G5	
17	19714	1	Cap, overflow jug	
18	20287	1	Jug, overflow - 2 qt	
19	60777	2	Clamp, hose - .312, crimp style	
20	50018	1.67 ft	Hose, fuel - .312 ID	
21	60414	1	Screw, .250-20 x 1.50 standard hex, G5	
22	22419B	1	Bracket, support overflow jug - black	
23	60696	2	Washer, .250 flat .625/.050, SS	
24	60061	2	Nut, 10-32 nylock	
25	11413	1	Fan guard	
26	60364	9	Screw, 10-16 x .500 standard hex, G2, self-drilling	
27	32383SRV	1	Hose, radiator - upper - Mitsubishi	MLT3060M
	16687	1	Hose, radiator - upper - Kubota	MLT3060K
28	19219	1	Cap, radiator 14.7 PSI	
<i>Engine Heater: (if equipped)</i>				
A	15422	2	Clamp, hose - SAE 020 (.75-1.75)	
B	65649	1	Heater, engine - lower radiator hose, 1 in. diameter	

ENGINE AND GENERATOR TO UNIT

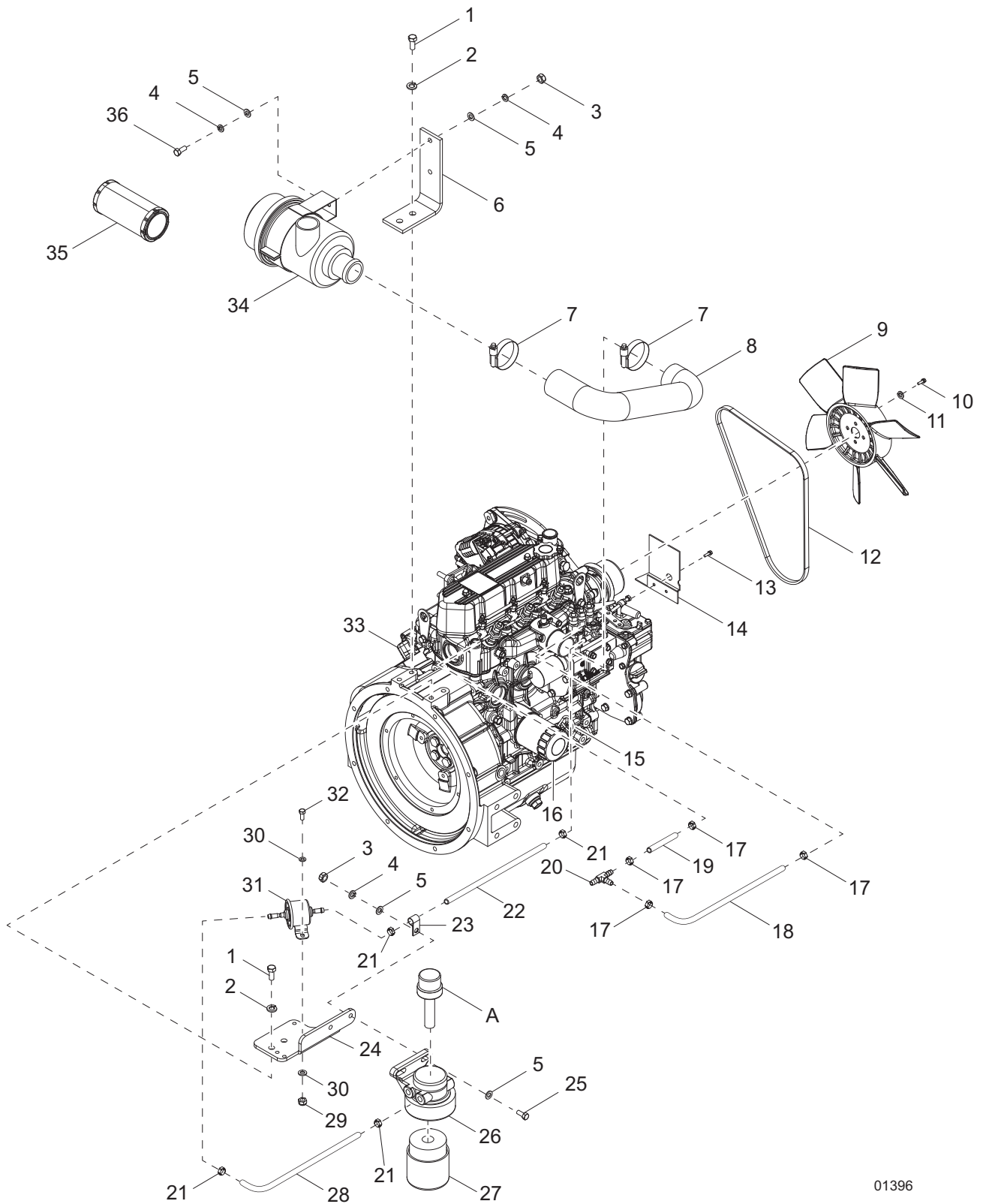


01670

ENGINE AND GENERATOR TO UNIT

Item	Part No.	Qty	Description	Notes
1	60747	3	Washer, .375 internal star	
2	60140	2	Nut, .375-16 hex, G5	
3	60026	1	Washer, M10 split lock	
4	60495	1	Screw, M10-1.25 x 16 standard hex, G8.8	
5	11923	1	Assembly, wire - engine/chassis ground	
6	60140	8	Nut, .375-16 hex, G5	
7	60206	8	Washer, .375 split lock	
8	60698	16	Washer, .375 flat .875/.040, SS	
9	60205	8	Screw, .375-16 x 1.0 standard hex, G5	
<i>Drain Valve: (if equipped)</i>				
A	60774	1	Valve, drain with nipple	MLT3060K
	60766	1	Valve, drain with nipple	MLT3060M
B	60365	1	Clamp, hose - SAE 010 (.56-1.06)	MLT3060K
	60777	1	Clamp, hose - .312, crimp style	MLT3060M
C	68327	1	Hose, .625 in., 200 psi, (22 in)	MLT3060K
	50051	1.67 ft	Hose, fuel - .375 ID, 50 psi, SAE 30R7	MLT3060M
D	60205	1	Screw, .375-16 x 1.0 standard hex, G5	MLT3060K
E	60698	2	Washer, .375 flat .875/.040, SS	MLT3060K
F	60206	1	Washer, .375 split lock	MLT3060K
G	60716	1	Clamp, tubing - 1.50 light duty	MLT3060K
H	60144	1	Nut, .25-20 nylock, G5	MLT3060K

ENGINE ASSEMBLY - MITSUBISHI LEFT SIDE



01396

ENGINE ASSEMBLY - MITSUBISHI LEFT SIDE

Item	Part No.	Qty	Description	Notes
1	60422	4	Screw, M10-1.25 x 25 standard hex, G8.8	
2	60026	4	Washer, M10 split lock	
3	60285	6	Nut, .312-18 hex, G2	
4	60271	6	Washer, .312 split lock	
5	60119	8	Washer, .312 flat .875/.070	
6	16551B	1	Bracket, air cleaner - black	
7	60316	2	Clamp, hose - SAE 032 (1.56-2.50)	
8	16589	1	Hose, air cleaner	
9	16742	1	Fan, Mitsubishi	
10	63288	4	Screw, M6-1.0 x 12 pan head, G8.8	
11	60286	4	Washer, .250 split lock	
12	16692	1	V-belt, Mitsubishi	
13	13513	2	Bolt w/washer	
14	11691	1	Bracket, lower radiator hose guard	
15	11148	1	Dipstick, oil	
16	70124	1	Filter, oil - Mitsubishi	
17	60778	4	Clamp, hose - .188, crimp style	
18	14211	1.04 ft	Hose, fuel - .188 ID, 50 psi, SAE 30R7	
19	14211	.16 ft	Hose, fuel - .188 ID, 50 psi, SAE 30R7	
20	17145	1	Fitting, T - .188 x .188 x .188 barb, nylon	
21	60777	4	Clamp, hose - .312, crimp style	
22	50018	1 ft	Hose, fuel - .312 ID, 50 psi, SAE 30R7	
23	60649	1	Clamp, tubing - .750 heavy duty	
24	12838B	1	Bracket, fuel filter/pump, black	
25	60256	2	Screw, .312-18 x 1.50 standard hex, G5, fully threaded	
26	17641	1	Filter, fuel head and element	
27	10000023037	1	Filter, fuel, element only	
28	50018	1.04 ft	Hose, fuel - .312 ID, 50 psi, 30R7	
29	60144	2	Nut, .250-20 nylock, G5	
30	60243	4	Washer, .250 flat .735/.060	
31	13278SRV	1	Fuel pump, electric	
32	60393	2	Screw, .250-20 x 1.0 standard hex, G5	
33	72154	1	Engine, Mitsubishi LE3, T4	
34	34066	1	Filter, air, w/bracket	
35	16444	1	Element, air filter	
36	61061	2	Screw, .312-18 x .875 standard hex, G5	
--	16677	1	Switch, oil pressure	
--	70021	1	Cover, air filter housing	
--	12912	1	Cap, dust	

Heated Fuel Filter: (if equipped)

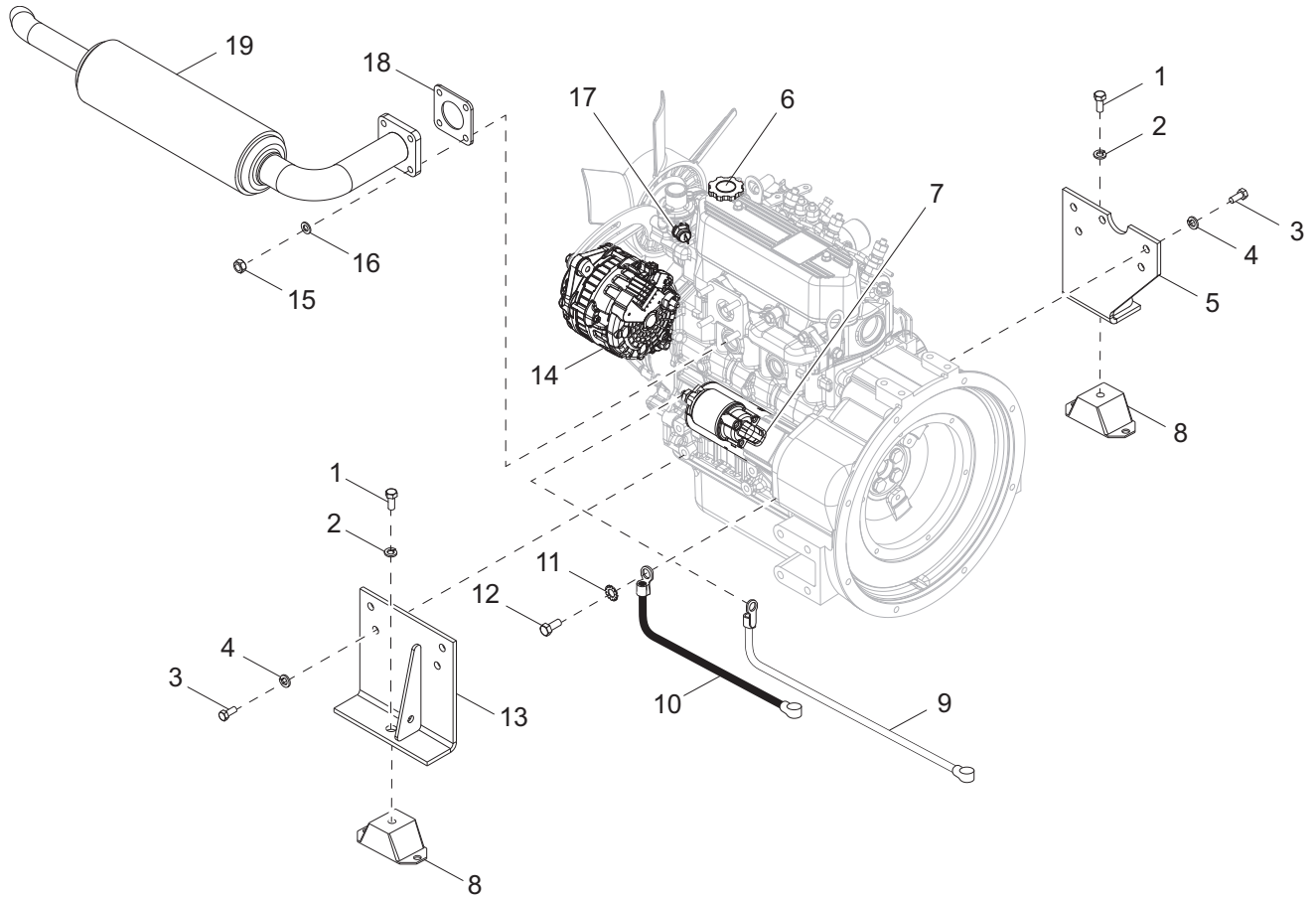
A	13876	1	Kit, heater - fuel filter, Mitsubishi
---	-------	---	---------------------------------------

Cold Weather Belt: (if equipped)

--	10386	1	Belt, cold weather - Mitsubishi, 6kW & 8kW
----	-------	---	--

Note: Engine and generator parts used in all Generac Mobile Products equipment carry the Original Equipment Manufacturer (OEM) warranty unless otherwise stated. OEM warranty parts must be purchased through an OEM dealer. Please contact Generac Mobile Products with questions.

ENGINE ASSEMBLY - MITSUBISHI RIGHT SIDE



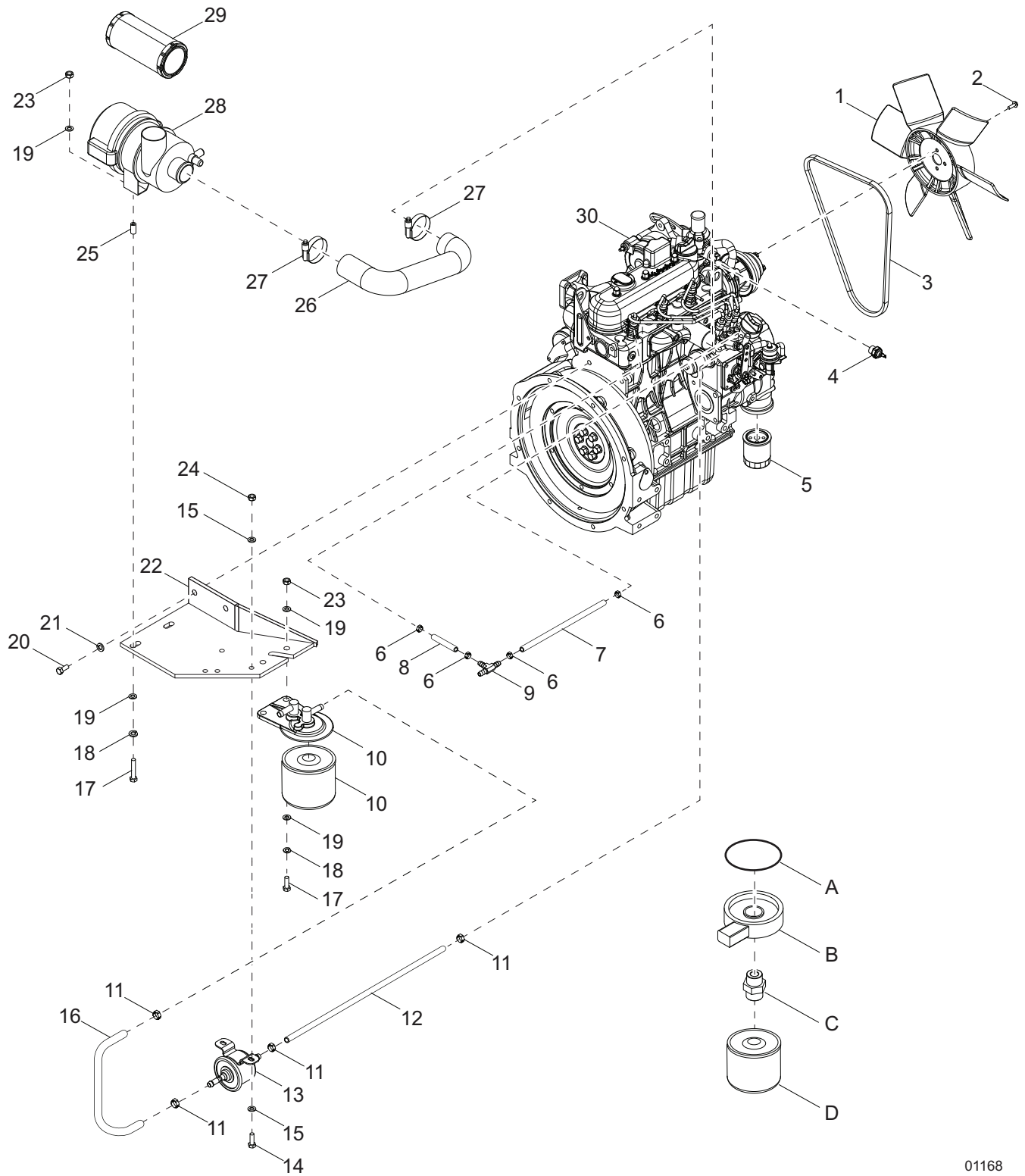
01171

ENGINE ASSEMBLY - MITSUBISHI RIGHT SIDE

Item	Part No.	Qty	Description	Notes
1	60275	2	Screw, .500-13 x 1.0 standard hex, G5	
2	60702	2	Washer, .500 split lock, SS	
3	60422	8	Screw, M10-1.25 x 25 standard hex, G8.8	
4	60026	8	Washer, M10 split lock	
5	70130B	1	Weldment, engine mount - right, black	
6	11147	1	Cap, oil filler	
7	70232	1	Starter	
8	15241	2	Isolator, rubber - 80-200 lbs, 2 inch. wide	
9	15074	1	Cable, battery - 38 inch, 4GA red, .438 lug	
10	12568	1	Cable, battery - 27 inch, 4GA black, .375 lug	
11	60747	1	Washer, .375 internal star	
12	60495	1	Screw, M10-1.25 x 16 standard hex, G8.8	
13	16554B	1	Weldment, engine mount - LH, black	
14	16743	1	Alternator	
15	60032	4	Nut, M8-1.25 hex, G8.8	
16	60029	4	Washer, M8 split lock	
17	16678	1	Switch, temperature sensor	
18	11042SRV	1	Gasket, muffler	
19	13710	1	Muffler, 30 degree flare	
--	10457	1	Harness, engine - Mitsubishi	

Note: Engine and generator parts used in all Generac Mobile Products equipment carry the Original Equipment Manufacturer (OEM) warranty unless otherwise stated. OEM warranty parts must be purchased through an OEM dealer. Please contact Generac Mobile Products with questions.

ENGINE ASSEMBLY - KUBOTA LEFT SIDE



01168

ENGINE ASSEMBLY - KUBOTA LEFT SIDE

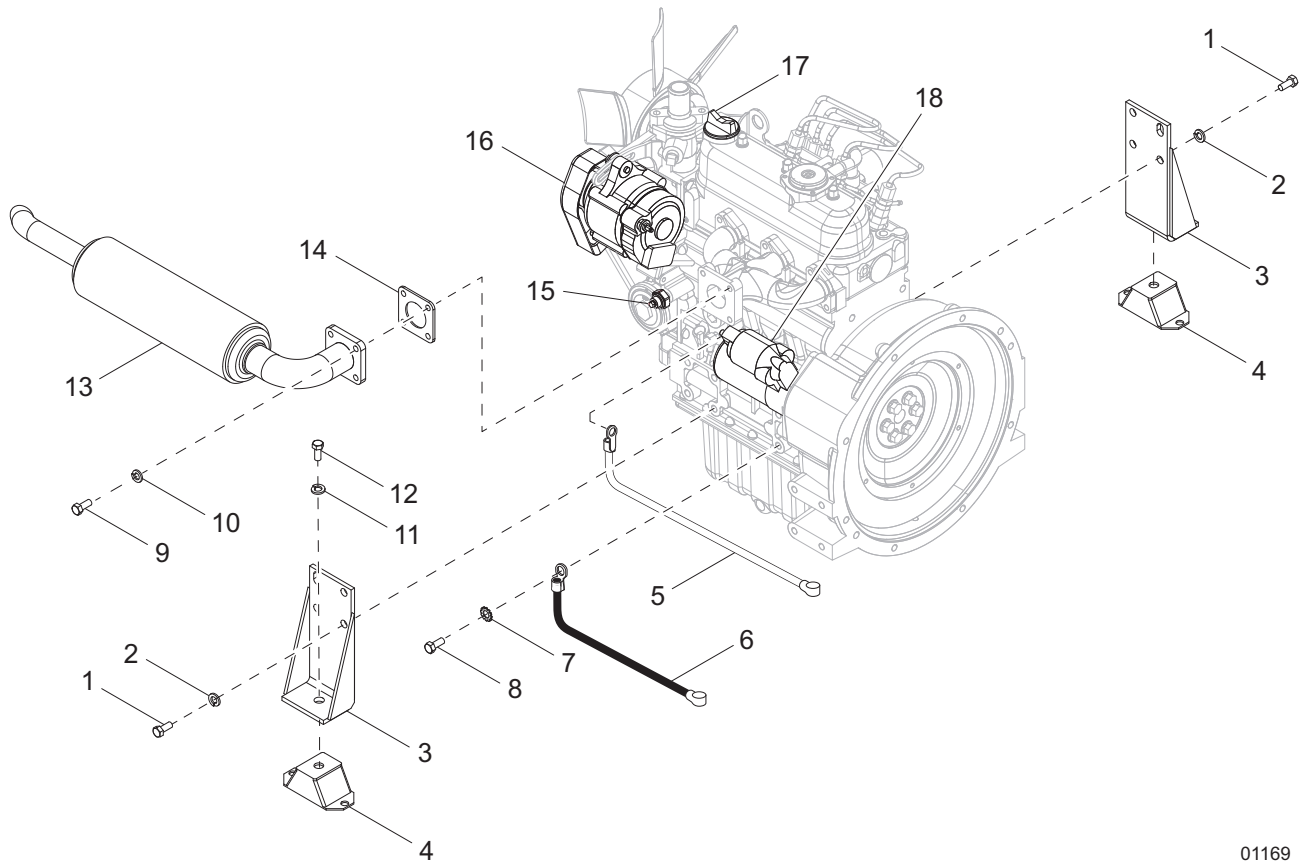
Item	Part No.	Qty	Description	Notes
1	15495	1	Fan, engine	
2	60087	4	Screw, M6-1.0 x 16 serrated flange hex, G8.8	
3	11628	1	Belt, V	
4	14099	1	Switch, coolant temperature	
5	10775	1	Filter, oil	
6	60778	4	Clamp, hose - .188, crimp style	
7	14211	1.3 ft	Hose, fuel - .188 ID, 50 psi, SAE 30R7	
8	14211	.167 ft	Hose, fuel - .188 ID, 50 psi, SAE 30R7	
9	17145	1	Fitting, T - .188 x .188 x .188 barb, nylon	
10	13481	1	Filter, fuel	includes element
--	13515	1	Element, fuel filter	
11	60777	4	Clamp, hose - .312, crimp style	
12	50018	1.67 ft	Hose, fuel - .312 ID, 50 psi, SAE 30R7	
13	13278SRV	1	Pump, fuel	
14	60393	2	Screw, .250-20 x 1.0 standard hex, G5	
15	60243	4	Washer, .250 flat .735/.060	
16	50018	1 ft	Hose, fuel - .312 ID, 50 psi, SAE 30R7	
17	62001	4	Screw, .312-18 x 1.25 standard hex, G5	
18	60271	4	Washer, .312 split lock	
19	60119	8	Washer, .312 flat .875/.070	
20	61082	2	Screw, M8-1.25 x 20 standard hex, G8	
21	60029	2	Washer, M8 split lock	
22	13483B	1	Weldment, filter bracket	
23	60285	4	Nut, .312-18 hex, G2	
24	60144	2	Nut, .250-20 nylock, G5	
25	41235ZY	2	Spacer, .75 OD x .44 ID x 1.0 long	
26	16589	1	Hose, air cleaner	
27	60316	2	Clamp, hose - SAE 032 (1.56-2.50)	
28	34066	1	Filter, air, assembly	
29	16444	1	Element, air filter	
30	13310	1	Engine, Kubota - D1005-E3BG1-MGM-1	

Heated Fuel Filter: (if equipped)

A	13834	1	Gasket, heated fuel filter
B	13682	1	Heater, fuel filter
C	10407	1	Adapter, heated fuel filter
D	13515	1	Element, heated fuel filter
--	10662	1	Harness, fuel filter heater - outside
--	13684	1	Harness, fuel filter heater - inside

Note: Engine and generator parts used in all Generac Mobile Products equipment carry the Original Equipment Manufacturer (OEM) warranty unless otherwise stated. OEM warranty parts must be purchased through an OEM dealer. Some Kubota engine parts are serial number specific. Please contact **Kubota Engine America Corp.** or the Generac Mobile Products Technical Service Department for information regarding engine parts.

ENGINE ASSEMBLY - KUBOTA RIGHT SIDE



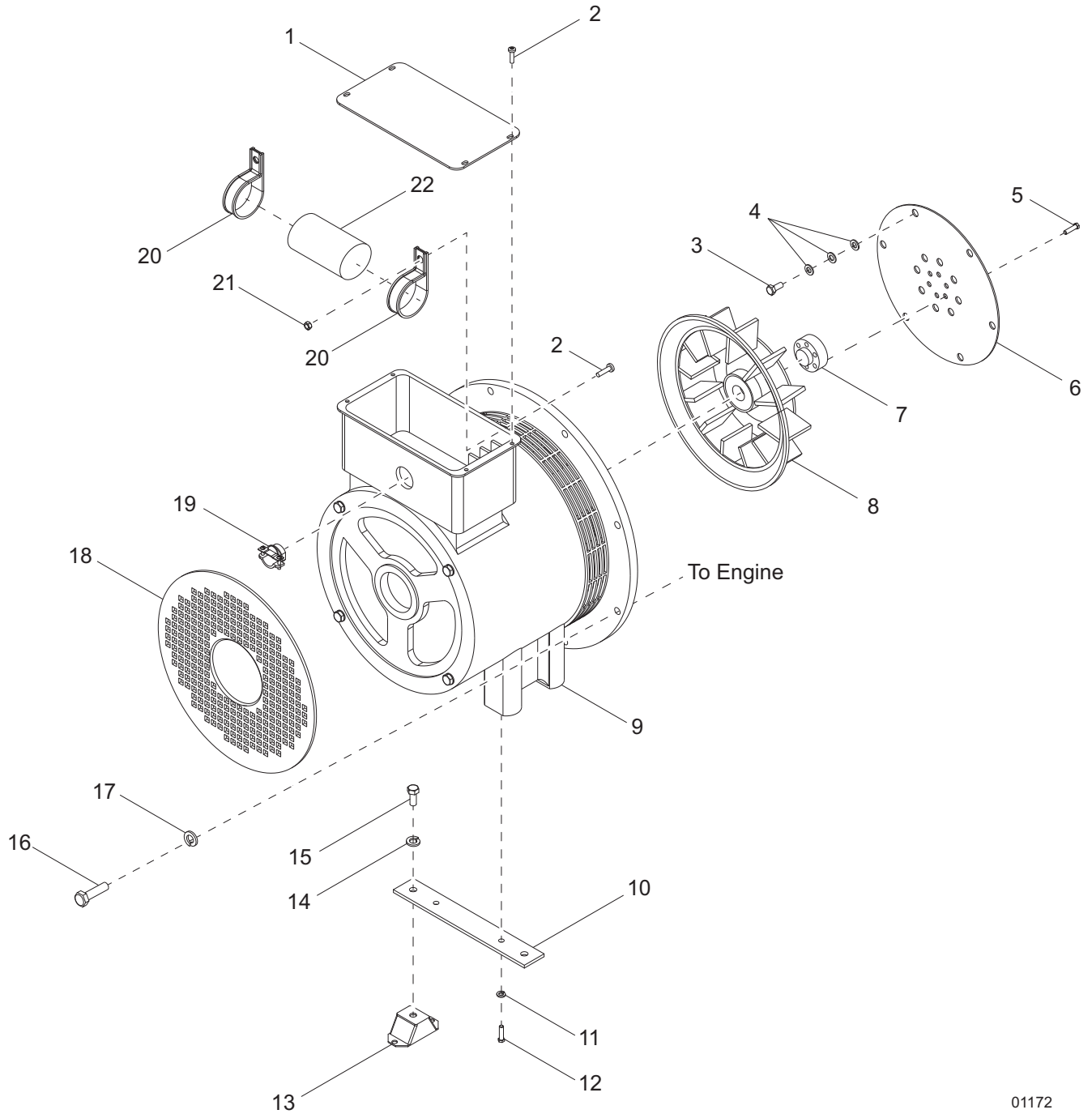
01169

ENGINE ASSEMBLY - KUBOTA RIGHT SIDE

Item	Part No.	Qty	Description	Notes
1	60422	8	Screw, M10-1.25 x 25 standard hex, G8.8	
2	60026	8	Washer, M10 split lock	
3	12338B	2	Weldment, engine mount	
4	15241	2	Isolator, rubber - 80-200 lbs, 2 inch. wide	
5	15074	1	Cable, battery - 38 inch, 4GA red, .438 lug	
6	12568	1	Cable, battery - 27 inch, 4GA black, .375 lug	
7	60747	1	Washer, .375 internal star	
8	60495	1	Screw, M10-1.25 x 16 standard hex, G8.8	
9	63168	4	Screw, M8-1.25 x 30 standard hex	
10	60029	4	Washer, M8 split lock	
11	60702	2	Washer, .500 split lock, SS	
12	60275	2	Screw, .500-13 x 1.0 standard hex, G5	
13	13709	1	Muffler, 30 degree flare	
14	11042SRV	1	Gasket, muffler	
15	14099	1	Switch, coolant temperature	
16	12486	1	Alternator	
17	12484	1	Cap, oil filler	
18	30582	1	Starter	
--	10461	1	Harness, engine - Kubota	

Note: Engine and generator parts used in all Generac Mobile Products equipment carry the Original Equipment Manufacturer (OEM) warranty unless otherwise stated. OEM warranty parts must be purchased through an OEM dealer. Some Kubota engine parts are serial number specific. Please contact **Kubota Engine America Corp.** or the Generac Mobile Products Technical Service Department for information regarding engine parts.

GENERATOR ASSEMBLY



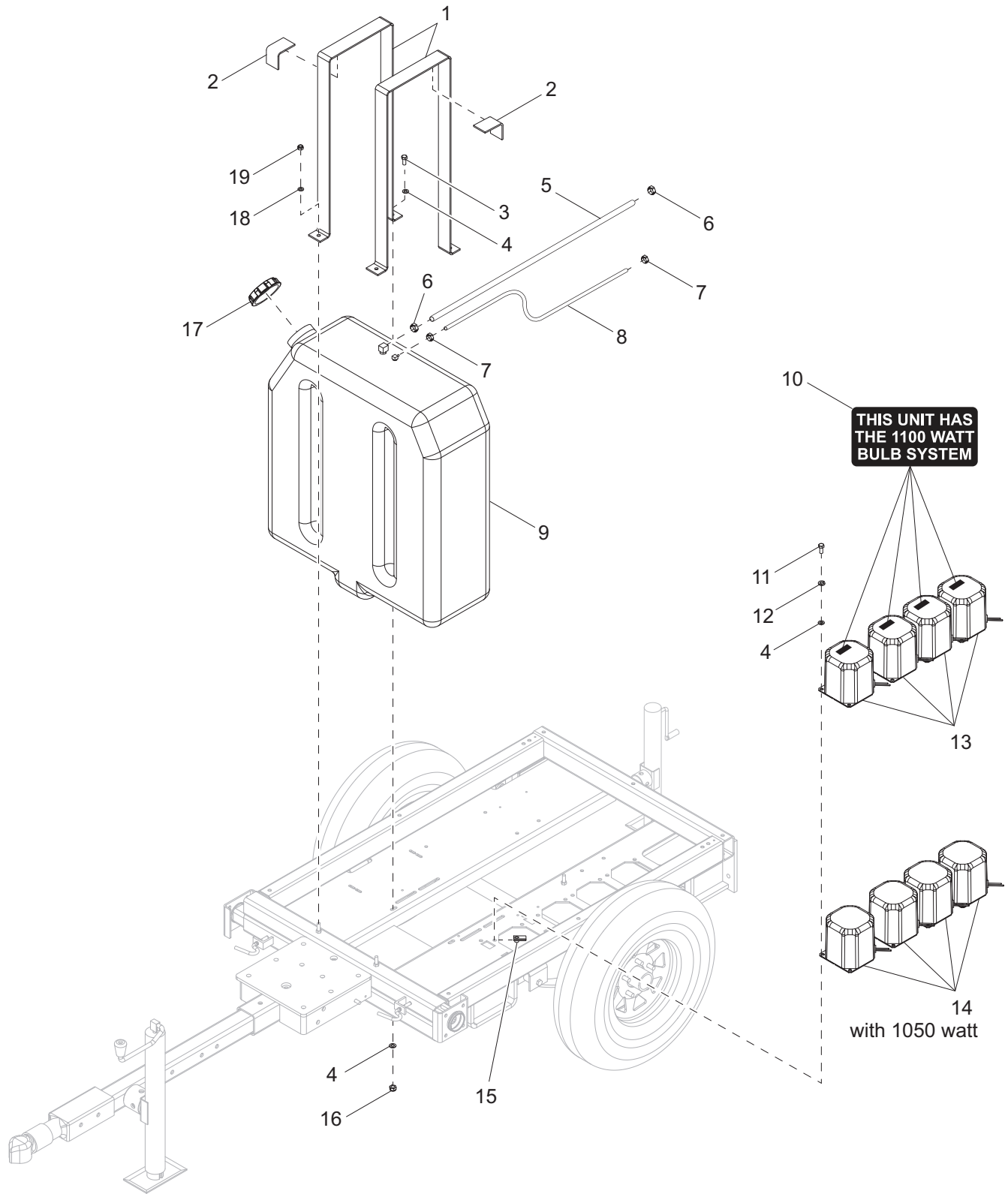
01172

GENERATOR ASSEMBLY

Item	Part No.	Qty	Description	Notes
1	12736	1	Cover, generator - 6kW	
2	60398	6	Screw, 10-32 x 5.0 pan Phillips, SS	
3	60168	6	Screw, .312-18 x .750 standard hex, G5	MLT3060K
	60165	6	Screw, M8-1.25 x 16 standard hex, G10	MLT3060M only
4	60166	18	Washer, M8 flat	MLT3060M (qty 12 only)
5	11336	6	Screw, .375-24 x 1.75	
6	16123	1	Plate, drive - SAE 6.5	
7	11339	1	Spacer, generator drive plate	
8	12527	1	Fan, generator	
--	12329	1	Seal, pancake bearing - 6kW	Included w/item 9,
--	12328	1	Bearing, pancake - 6kW	Included w/item 9,
9	16556	1	Generator, Marathon - 6kW	
10	15045B	1	Bracket, generator	
11	60206	2	Washer, .375 split lock	
12	60205	2	Screw, .375-16 x 1.0 standard hex, G5	
13	15241	2	Isolator, rubber - 80-200 lbs, 2 inch wide	
14	60702	2	Washer, .500 split lock, SS	
15	60275	2	Screw, .50-13 x 1.0 standard hex, G5	
16	60352	8	Screw, .375-16 x 1.25 standard hex, G5	MLT3060K
	60494	8	Screw, M10-1.25 x 30 standard hex, G8.8	MLT3060M
17	60206	8	Washer, .375 split lock	MLT3060K
	60026	8	Washer, M10 split lock	MLT3060M
18	12327	1	Cover, pancake case	
19	14219	1	Strain relief - .750 Romex with nut	
20	16395	2	Clamp, capacitor	
21	61045	2	Nut, 10-32 serrated flange	
22	35132	1	Capacitor, 25 μ F 440V - 6kW	
--	16153	1	Harness, generator - 6kW	

Note: Engine and generator parts used in all Generac Mobile Products equipment carry the Original Equipment Manufacturer (OEM) warranty unless otherwise stated. OEM warranty parts must be purchased through an OEM dealer. Please contact Generac Mobile Products with questions.

FUEL TANK AND BALLAST BOXES TO UNIT

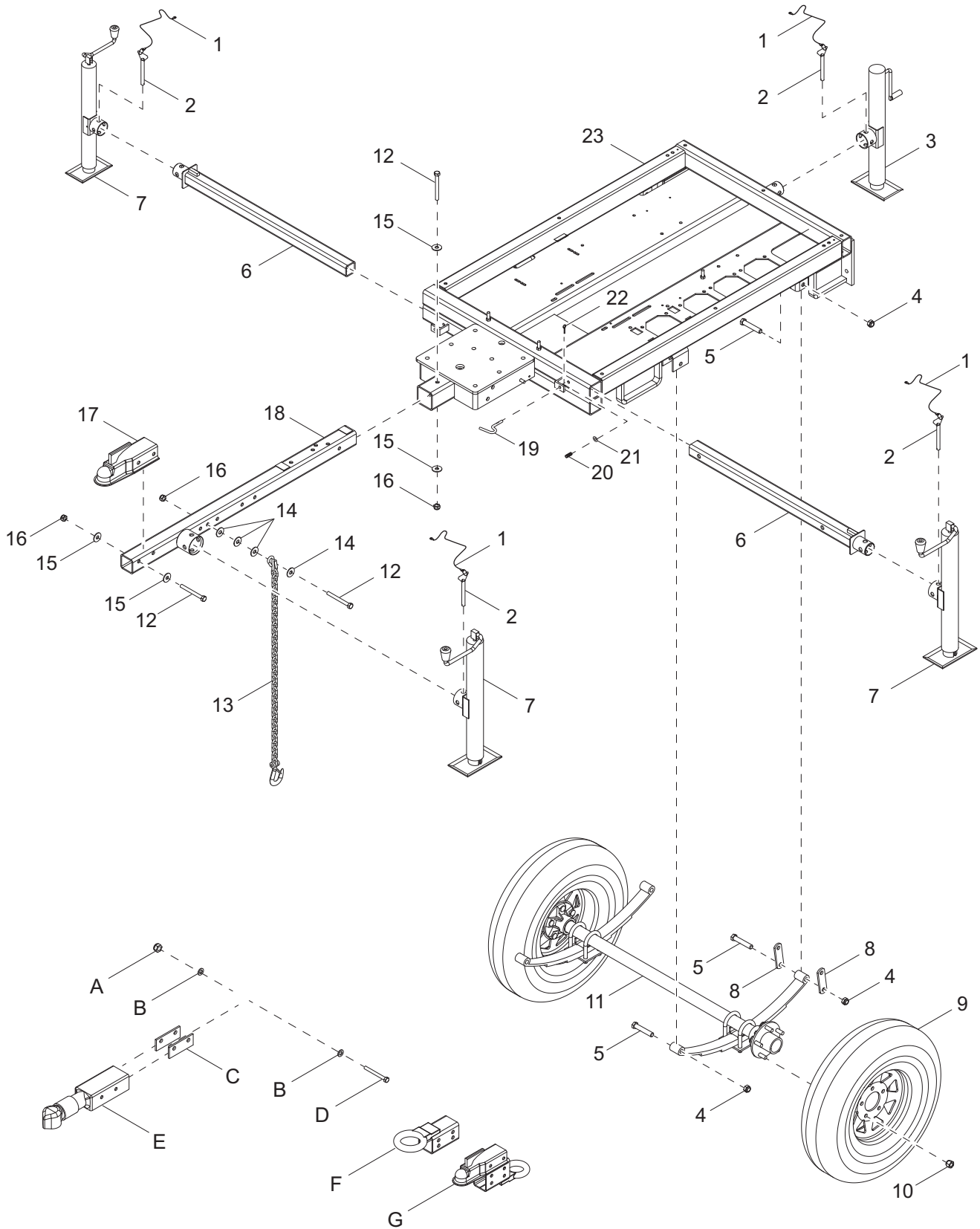


02639

FUEL TANK AND BALLAST BOXES TO UNIT

Item	Part No.	Qty	Description	Notes
1	11065B	2	Bracket, fuel tank support	
2	50197	1 ft	Weatherstripping - .06 x 1.0	Four 3 in. strips
3	60256	2	Screw, .312-18 x 1.50 standard hex, G5	
4	60119	16	Washer, .312 flat .875/.070	
5	50018	2.5 ft	Hose, fuel - .312 ID, 50 psi, SAE 30R7	
6	60777	2	Clamp, hose - .312, crimp style	
7	60778	2	Clamp, hose - .188, crimp style	
8	14211	2.5 ft	Hose, fuel - .188 ID, 50 psi, SAE 30R7	
9	34668	1	Tank, fuel - 30 gallon	
10	10000030392	4	Decal, 1100W bulb system	
11	60028	12	Screw, .312-18 x 1.0 standard hex, G5	
12	60271	12	Washer, .312 split lock	
13	10000036333	4	Assembly, transformer - can and base - 60Hz-MH	1100W only
14	10656SRV	4	Assembly, transformer - can and base - 60Hz-MH	1000-1050W only
15	62086	12	Nut, .312-18 u-clip - short type	
16	60303	2	Nut, .312-18 nylock, G2	
17	12080	1	Cap, fuel tank vented - 3.5 diameter - green	
18	60698	2	Washer, .375 flat .875/.040, SS	
19	60358	2	Nut, .375-16 nylock, G5	

TRAILER ASSEMBLY



02640

TRAILER ASSEMBLY

Item	Part No.	Qty	Description	Notes
1	12647	4	Cable, tether - jack pin and ground rod cover	
2	23256	4	Pin, jack - 2000 lb, tube mount	
3	13050	1	Jack, side wind - 2000 lb, tube mount	
4	60504	6	Nut, .562-18 lock, G5	
5	60503	6	Screw, shackle, .562-18 x 3.0 standard hex, G5	
6	70143Z	2	Weldment, outrigger	
7	13051	2	Jack, top wind - 2000 lb, tube mount	
8	19637	4	Plate, shackle bracket - 3.125 inch	
9	15976B	2	Wheel, ST175/80D13, 1360 lb	
10	60096	10	Nut, .500-20 lug, G5	
11	11100	1	Assembly, axle	<i>Page 48</i>
12	50215	5	Screw, .500-13 x 4.0 standard hex, G5	
13	23367	2	Chain, safety - 7800 lb rated	
14	60416	8	Washer, .500 flat 1.375/.090	
15	60309	6	Washer, .500 flat 1.060/.090	
16	62221	5	Nut, .500-13 nylock, G5	
17	16830	1	Coupler, 2.0 ball/2.50 channel	
18	33724B	1	Weldment, removable tongue, non-shipping	
19	35272	2	Pin, plunger - .375	
20	35273	2	Spring, compression - .562 x 1.50	
21	35275	2	Washer, .375 flat .416 x .820 x .057	
22	35274	2	Pin, cotter - .078 x 1.0	
23	13819B	1	Weldment, chassis	
--	10266	1	Harness, right side trailer	
--	10267	1	Harness, left side trailer	
--	10262	1	Harness, main trailer	

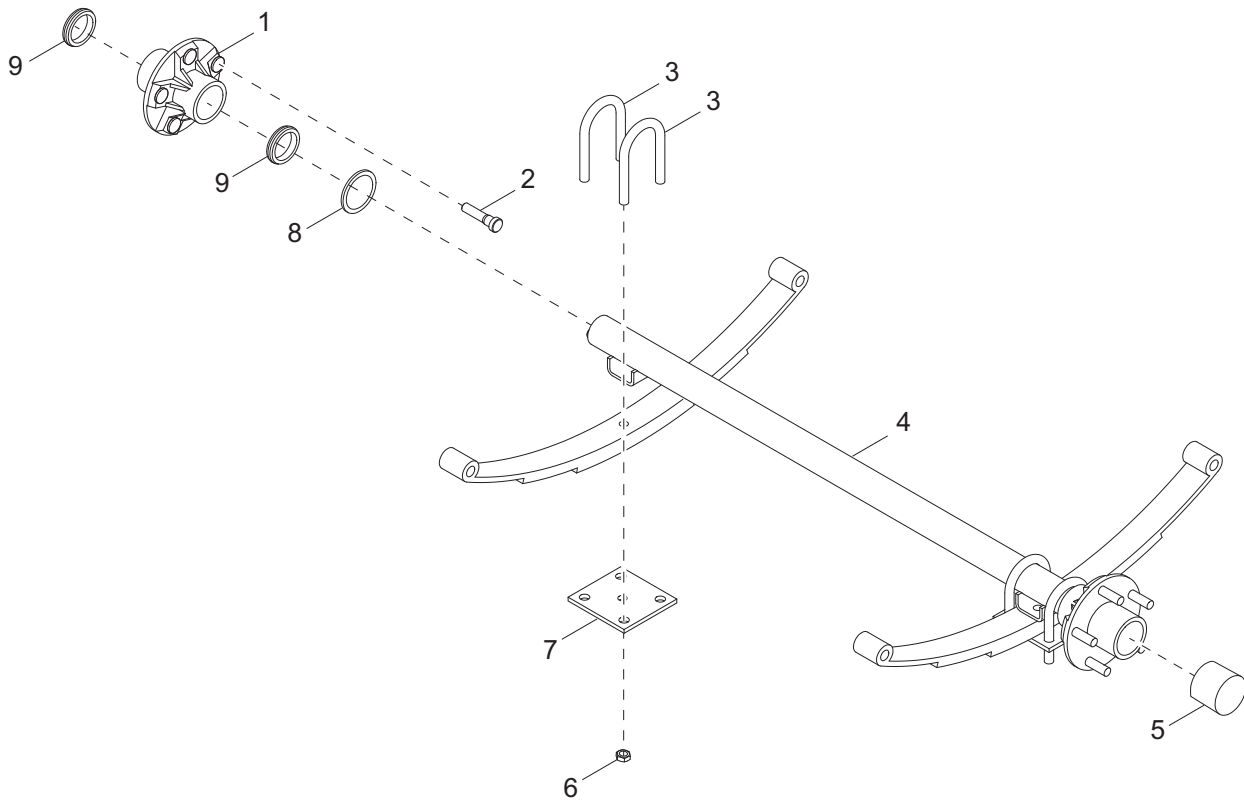
Trailer Plug Adapters: (if equipped)

--	65464	1	Adapter, trailer wiring - flat 4 pin to round 7 pin
----	-------	---	---

Hitches: (if equipped)

A	62221	2	Nut, .500-13 nylock, G5
B	60309	4	Washer, .500 flat 1.060/.090
C	12155B	2	Spacer, coupler
D	50215	2	Screw, .500-13 x 4.00 standard hex, G5
E	13003B	1	Coupler, 2.0 ball/3.0 channel
F	16835B	1	Weldment, lunette ring - 3.0 x 1.0 ring/2.50 tongue
G	34792ZC	1	Weldment, combo hitch - 2.50 tongue

AXLE ASSEMBLY

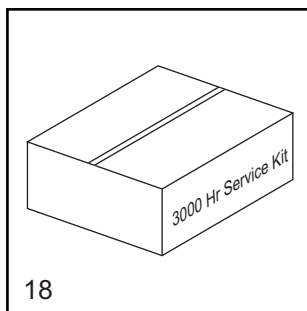
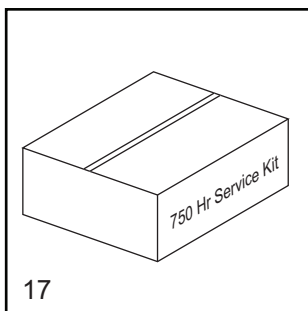
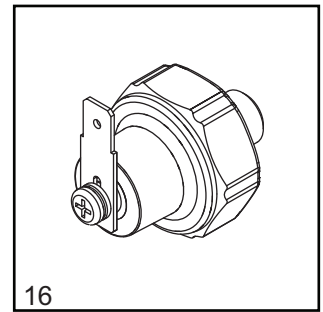
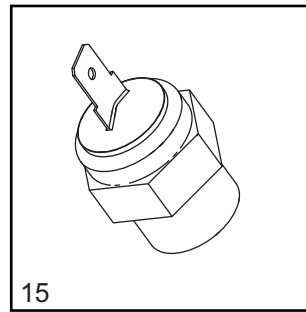
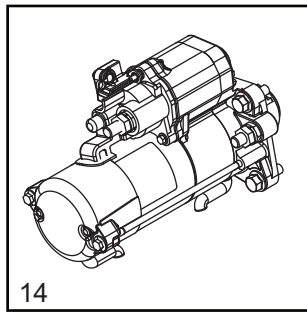
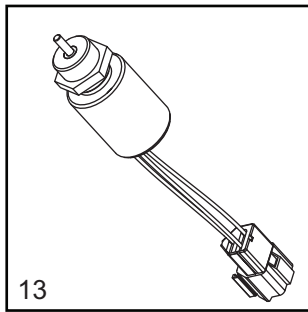
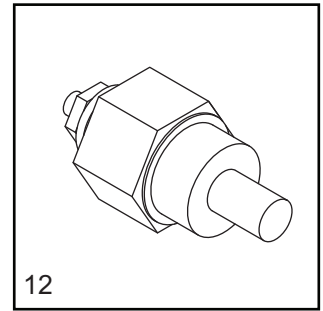
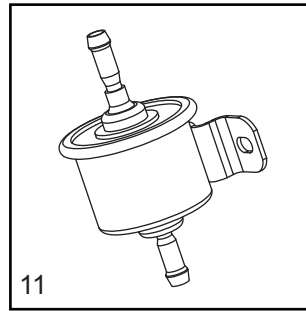
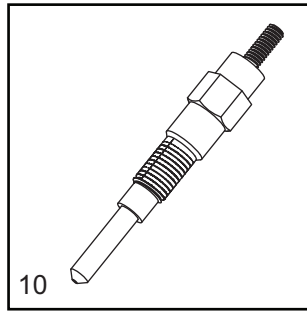
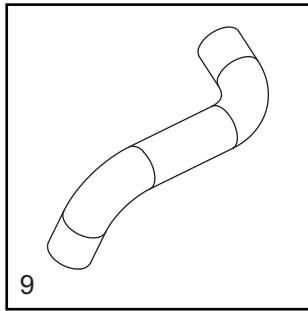
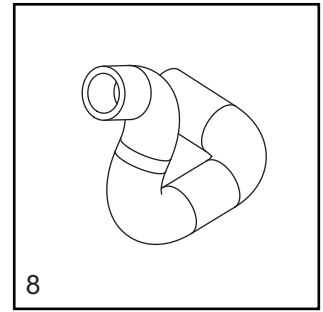
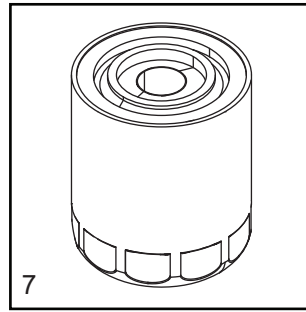
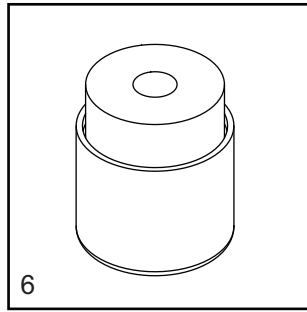
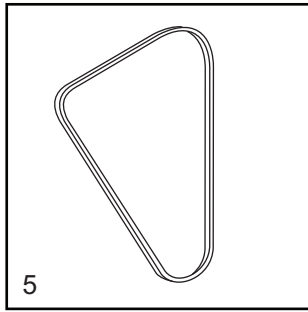
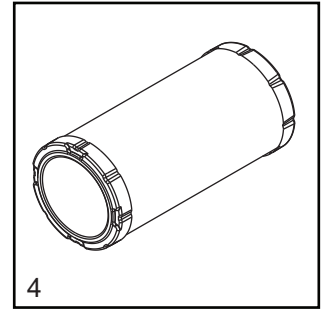
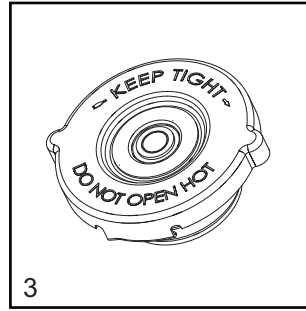
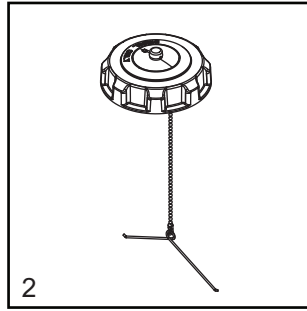
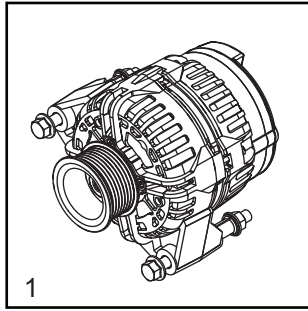


01746

AXLE ASSEMBLY

Item	Part No.	Qty	Description	Notes
1	11206	2	Axle hub with studs and outer races	
2	60674	10	Stud, wheel, .500-20 wheel, G8	
3	11201	4	Bolt, U - 2200 lb	
4	11100	1	Axle, 2200 lb 40.75TC 31.00SC	
5	12460	2	Cap, wheel bearing	
6	11203	8	Nut, U-bolt, 2200 lb	
7	11202	2	Tie-plate, 2200 lb	
8	13000	2	Seal - 2200 lb	
9	11511	4	Bearing, roller	Includes bearing races

RECOMMENDED SPARE PARTS - ENGINE AND SERVICE KITS - MITSUBISHI



RECOMMENDED SPARE PARTS - ENGINE AND SERVICE KITS - MITSUBISHI

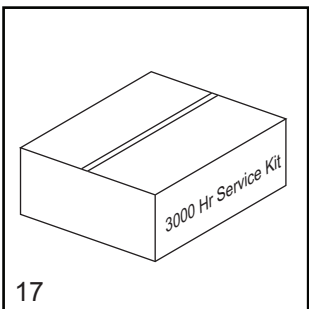
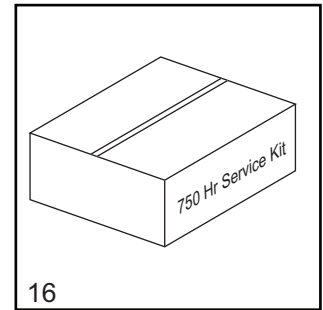
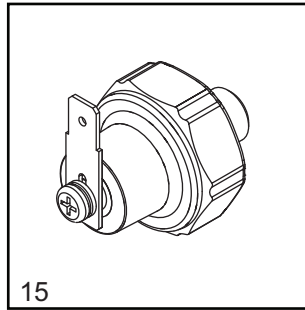
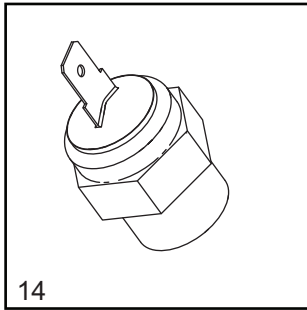
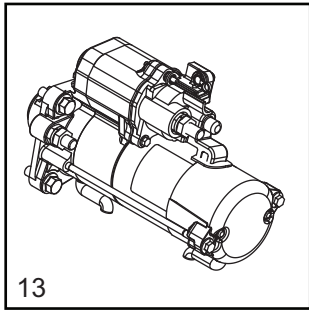
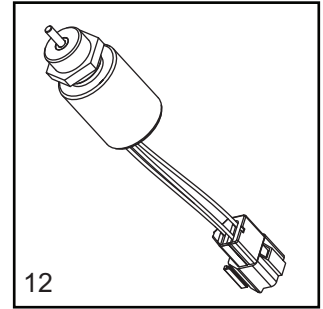
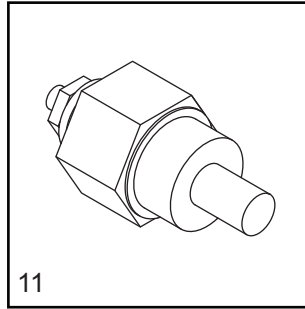
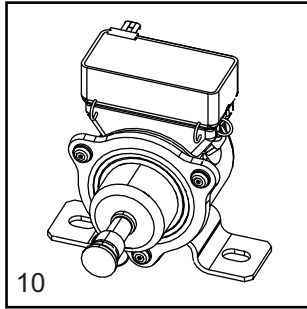
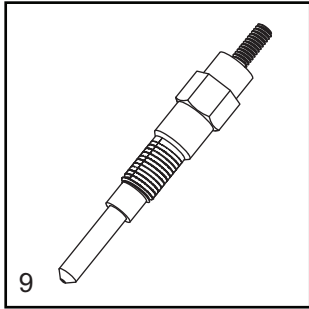
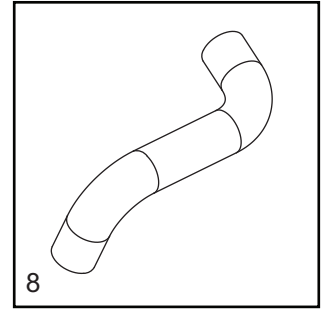
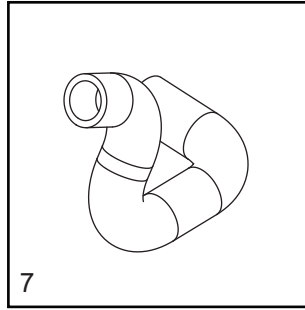
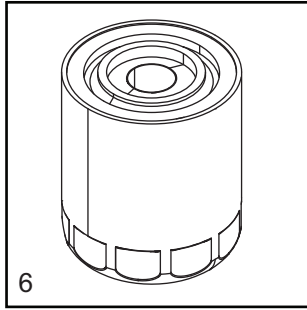
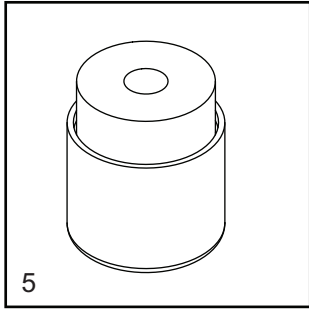
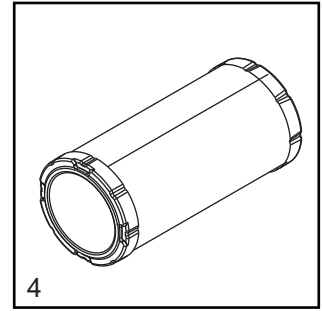
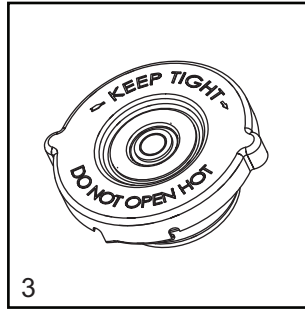
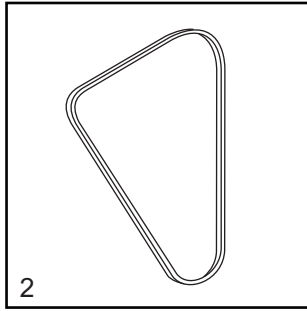
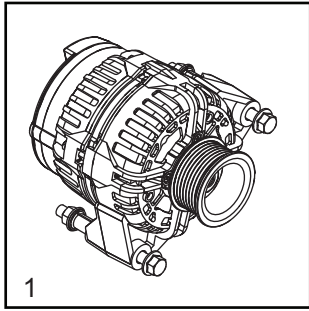
ENGINE

1. Alternator	16743
2. Cap, fuel tank with lanyard	16326
3. Cap, radiator	19219
4. Filter, air (element).....	16444
5. Belt	10386
6. Filter, fuel, Mitsubishi	10000023037
7. Filter, oil, Mitsubishi (after break-in filter 16691).....	70124
8. Hose, radiator - lower	16688SRV
9. Hose, radiator - upper.....	32383SRV
10. Plug, glow	16693SRV
11. Pump, fuel.....	13278SRV
12. Sender, coolant temp.....	11590
13. Solenoid, fuel shutdown	16683
14. Starter	70232
15. Switch, coolant temperature	16678
16. Switch, oil pressure	16677

SERVICE KITS

17. 750 hour kit.....	10000036108
Includes: Air Filter 16444, Fuel Filter Element 10000023037 and Oil Filter 70124	
18. 3000 hour kit.....	SK335
Includes: Engine Belt 10388 (2), Air Filter 16444 (4), Fuel Filter Element 10000023037(4), and Oil Filter 70124 (4)	

RECOMMENDED SPARE PARTS - ENGINE AND SERVICE KITS - KUBOTA



RECOMMENDED SPARE PARTS - ENGINE AND SERVICE KITS - KUBOTA

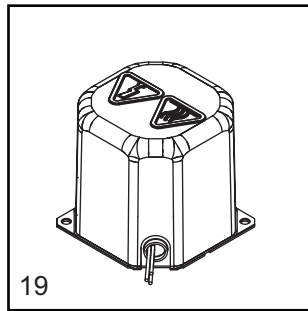
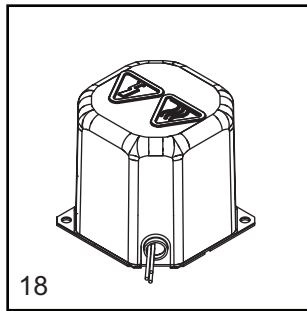
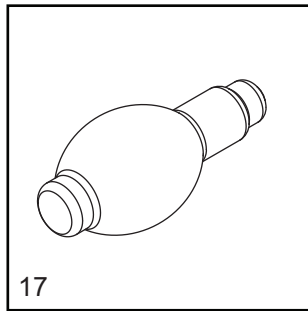
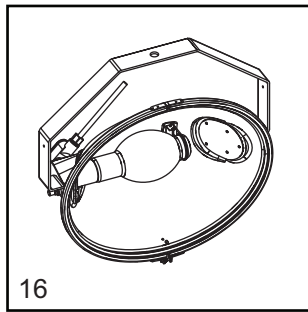
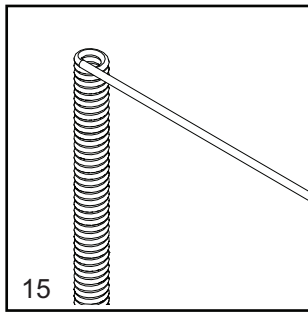
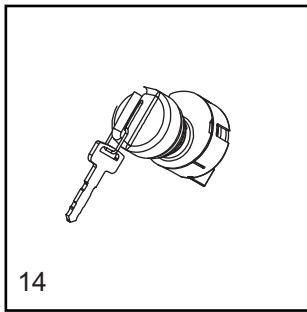
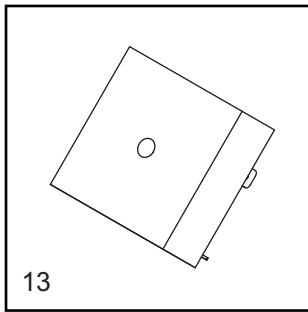
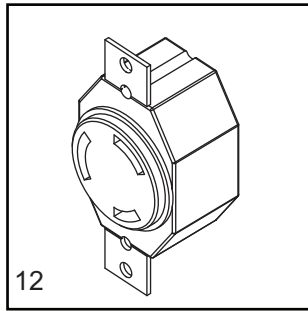
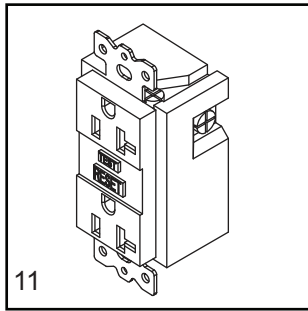
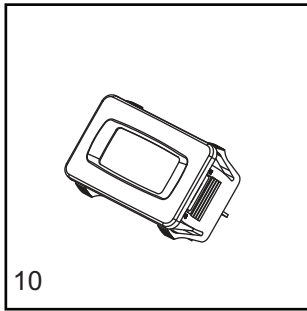
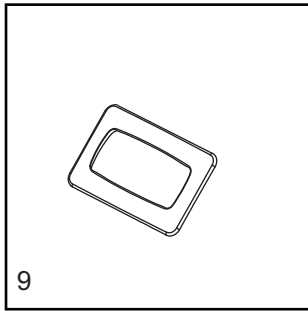
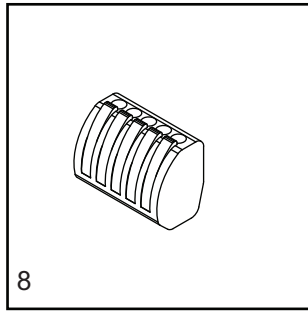
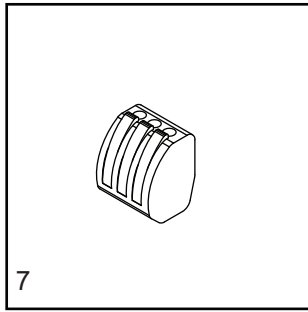
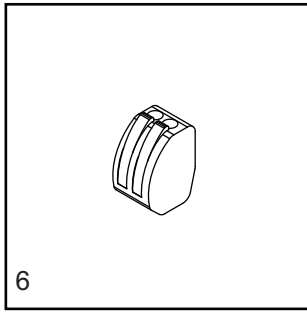
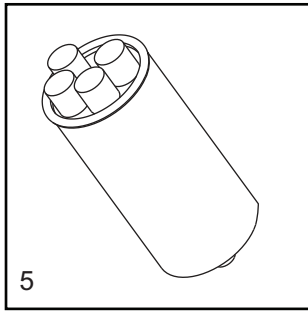
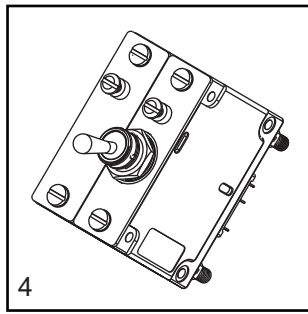
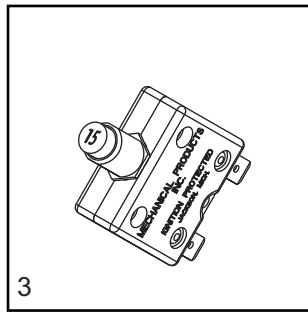
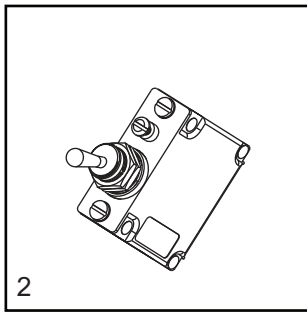
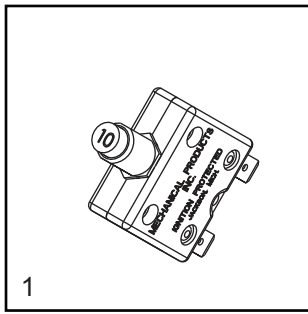
ENGINE

1. Alternator	12486
2. Belt, V, Kubota	11628
3. Cap, radiator	19219
4. Filter, air (element).....	16444
5. Filter, fuel element, Kubota	13515
6. Filter, oil, Kubota D1005/D1105	10775
7. Hose, lower radiator, Kubota	12350
8. Hose, upper radiator Kubota	36977
9. Plug, glow, Kubota (start SN 489916)	13238
10. Pump, fuel	13278SRV
11. Sender, coolant temp	12873
12. Solenoid, fuel shutdown (2 wire)	13018
13. Starter- Kubota D1005.....	30582
14. Switch, coolant temperature - Kubota D850	14099
15. Switch, oil pressure, Kubota D905	15375

SERVICE KITS

16. 750 hour kit.....	10000036039
Includes: Air Filter Element 16444, Fuel Filter Element 13515 and Oil Filter 10775	
17. 3000 hour kit.....	SK152
Includes: Engine Belt 11628 (4), Air Filter Element 16444 (4), Fuel Filter Element 13515 (4), and Oil Filter 10775 (4)	

RECOMMENDED SPARE PARTS - ELECTRICAL

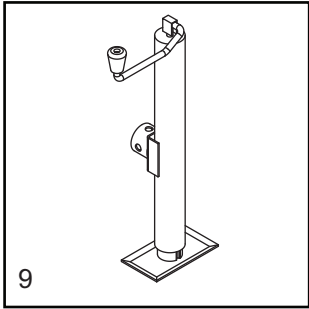
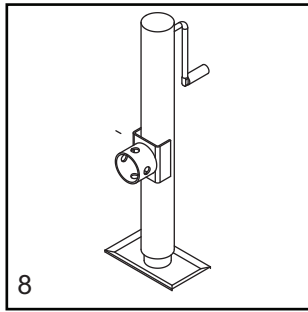
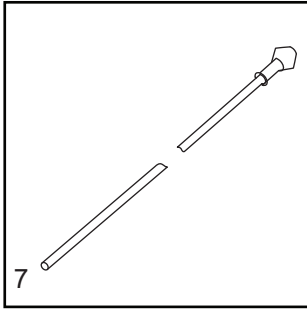
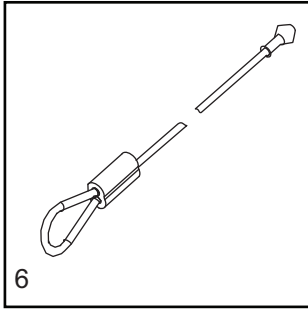
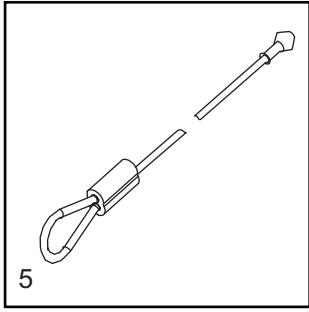
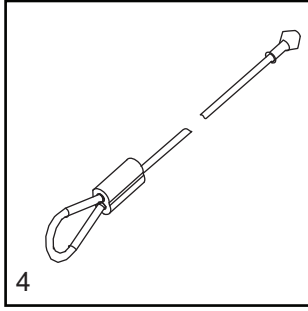
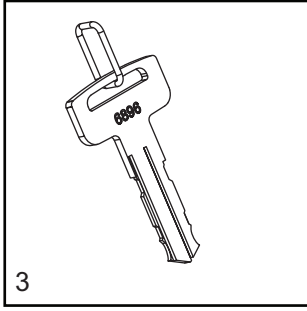
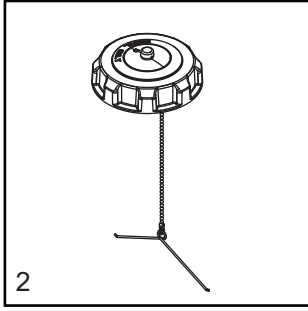
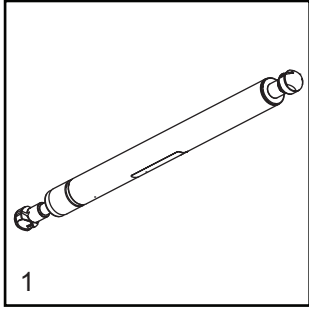


RECOMMENDED SPARE PARTS - ELECTRICAL

ELECTRICAL

1. Breaker, 10A, 240V, 1 pole, push button	36937
2. Switch, light 15A	36880
3. Breaker, 15A, 120V, 1 pole, push button, 8kW	36935
4. Breaker, 30A, 250A, 2 pole, 6kW	36975
5. Capacitor, 24 μ F/24 μ F, 5% 540VAC dual - 1100W	10000024477
6. Connector, 2 position (qty - 4)	66100
7. Connector, 3 position (qty - 2)	66101
8. Connector, 5 position (qty - 1)	66102
9. Gasket, hour meter	36944
10. Gauge, hour meter	36886
11. Receptacle, 120V/20A GFI	14130
12. Receptacle, 240V/30A twist	14137
13. Relay, 10A SPDT, 15 second time delay	14201
14. Switch, key	15195SRV
15. Coil cord	11954
16. Assembly, light fixture, 1100W MH	10000022353
Assembly, light fixture, 1050W MH	10000008620
17. Bulb, 1100W MH	10000022381
18. Assembly, transformer can/base 60Hz MH 5.5 (1100W)	10000036333
19. Assembly, transformer can/base 60Hz MH 5.5 (1000-1050W)	10656SRV

RECOMMENDED SPARE PARTS - MISC



RECOMMENDED SPARE PARTS - MISC

ENCLOSURE

- 1. Gas shock..... 35137
- 2. Cap, fuel tank with lanyard 16326
- 3. Key (set of two)..... 15309

MAST

- 4. Cable, 69.25 in 34128
- 5. Cable, 69.75 in 34129
- 6. Cable, 67.875 in 34130
- 7. Cable, 116.00 in..... 34132

JACKS

- 8. Jack, side wind, 2000 lb 13050
- 9. Jack, top wind, 2000 lb 13051

Part No. 10715 Rev. E 11/14/2018

©2018 Generac Mobile Products, LLC
All rights reserved.

Specifications are subject to change without notice.
No reproduction allowed in any form without prior written consent
from Generac Mobile Products, LLC.

GENERAC | **MOBILE**

Generac Mobile Products, LLC
215 Power Drive, Berlin, WI 54923
GeneracMobileProducts.com | 800-926-9768 | 920-361-4442